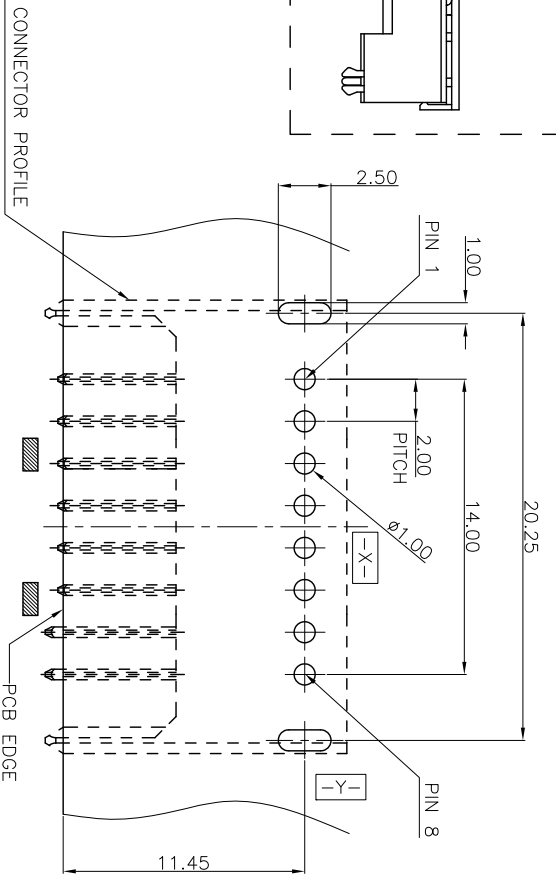
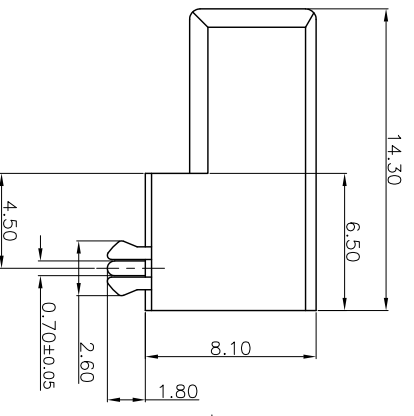
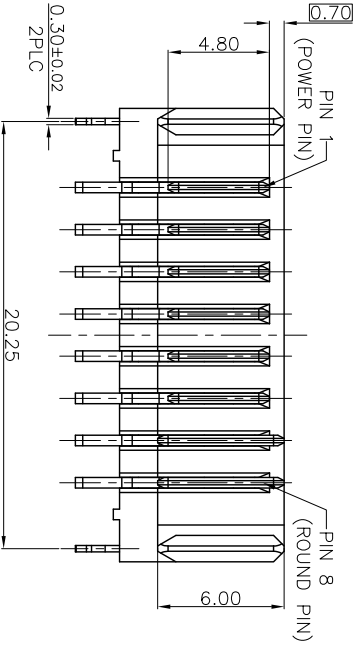
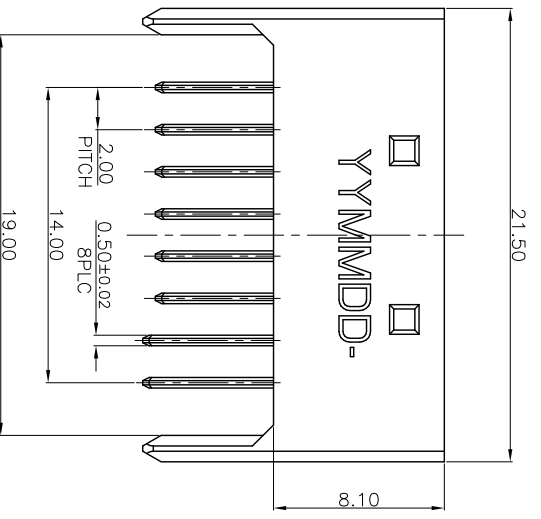
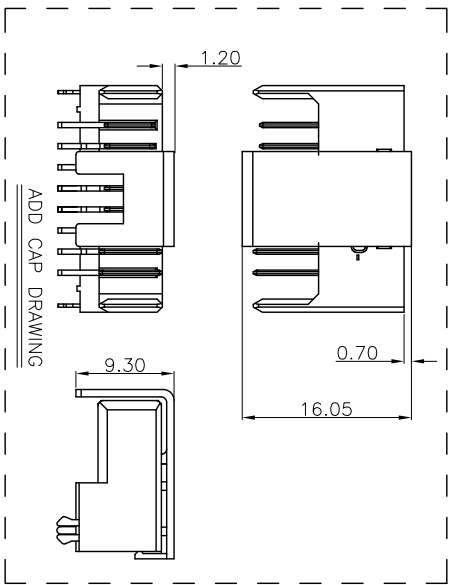


REV.	ECN NO OR DESCRIPTION	REVISED	DATE
A	PDR RELEASE	Lx-Wu	2012.02.22



RECOMMENDED P.C.B. LAYOUT(TOP VIEW)
TOLERANCE ±0.05mm(T=1.20mm)

- NOTES:
- ELECTRICAL PERFORMANCES:
 - 1.1 CONTACT RESISTANCE: 20 mΩ MAX.
 - 1.2 INSULATION RESISTANCE: 100 MΩ MIN.
 - 1.3 DIELECTRIC WITHSTANDING VOLTAGE: 500V AC FOR 1 MINUTE.
 - PERFORMANCE:
 - 2.1 VOLTAGE RATING: 30V AC.
 - 2.2 CURRENT RATING: 7.0A MAX. PER CONTACT.
 - 2.3 OPERATING TEMPERATURE: -40°C TO +85°C.
 - MECHANICAL PERFORMANCES:
 - RETENTION FORCE: 3.0N PER PIN.
 - HALOGEN FREE PRODUCT IDENTIFICATION MARK ON JACK:
 - HALOGEN FREE PRODUCT IDENTIFICATION LABEL ON PACKAGING:
 - PRINTED DATE CODE "YYMMDD" ON TOP OF CONNECTOR.

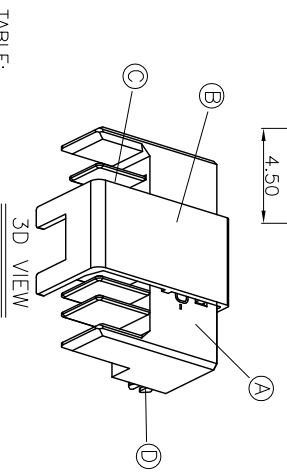


TABLE:

P/N	PLATING
ZBA3015-041411F	G/F "1u" in the contact area. Sn plating in the solder tail area. Ni underplating over all.
ZBA3015-041111F	Au 30u" in the contact area. Sn plating in the solder tail area. Ni underplating over all.

NO	DESCRIPTION	QTY	MATERIAL	PLATING & COLOR
D	LOCK	2	CARBON STEEL,T=0.30	Sn plating in the solder tail area. Ni underplating over all.
C	TERMINAL	8	BRASS,T=0.50	SEE "TABLE"
B	COVER	1	HIGH TEMPERATURE THERMOPLASTIC,UL 94V-0	BLACK
A	BODY	1	HIGH TEMPERATURE THERMOPLASTIC,UL 94V-0	BLACK

UNLESS OTHERWISE SPECIFIED TOLERANCES

DECIMALS: ANGLES:

X	±0.5	X	±2°
X.X	±0.3	X.X	±1°
X.XX	±0.2		

Singtong Enterprise Co., Ltd.
信音企業股份有限公司

BATTERY CONN. MALE, DIP

DWN	Lx-Wu	PART NO. ZBA3015-041111F	UNIT: mm
CHKD	Boye-Qi	SCALE:4:1	REV: A
APVD	Tony-Lee	SIZE: A3	SHEET:1 OF 1

CUSTOMER COPY

1 2 3 4 5 6 7 8