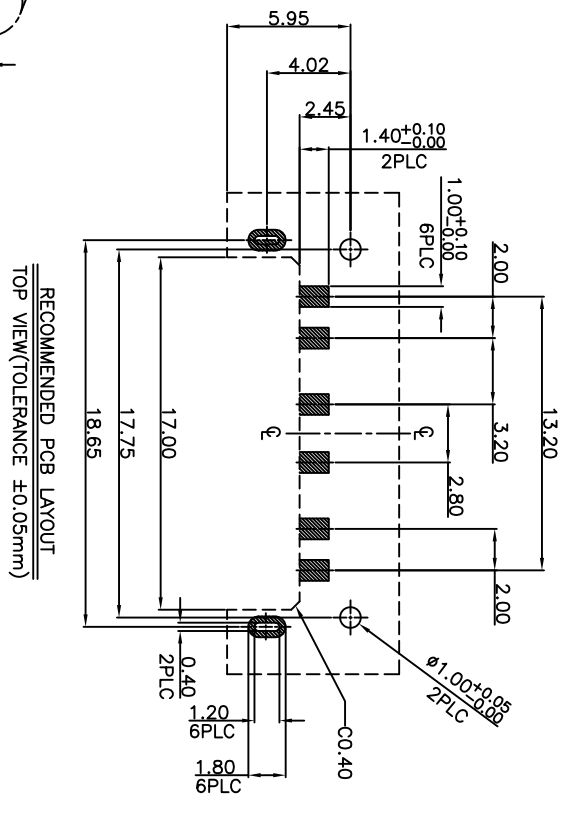
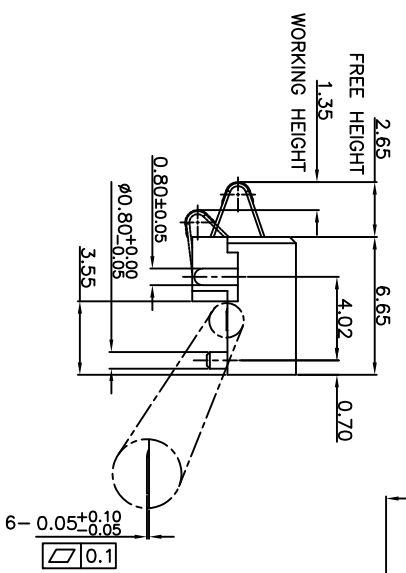
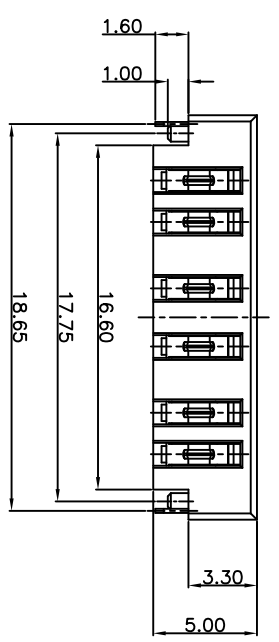
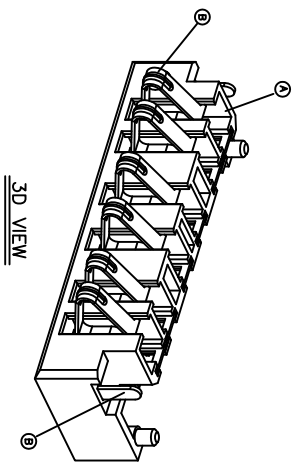
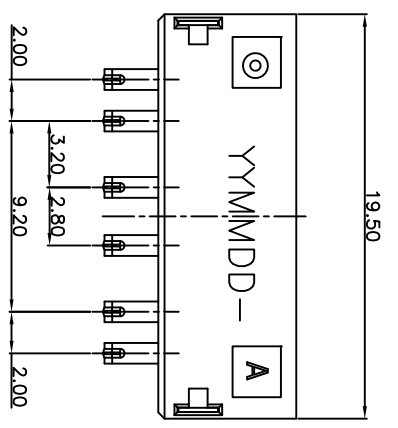


REV.	ECN NO.	OR DESCRIPTION	REVISED	DATE
A	PDR NO: T101126-4A/4B	BOYE.QI	2011.12.26	



- SPECIFICATION:**
- CONTACT RESISTANCE: 30mΩ Max.(INITIAL)
 - INSULATION RESISTANCE : 500MΩ MIN AT 500V DC.
 - DIELECTRIC WITHSTANDING VOLTAGE : 500V AC R.M.S. FOR ONE MINUTE.
 - DURABILITY: 5000 CYCLES.
 - TERMINAL RETENTION FORCE: 100gf Min.
 - OPERATING TEMPERATURE : -40°C TO +85°C.
 - SOLDER HEAT RESISTANCE: WAVE SOLDERING 260°C 10 SECS.
 - TO CONFORM TO SINGATRON HAZARDOUS SUBSTANCE FREE SPEC.
 - GREEN PRODUCT IDENTIFICATION MARK ON JACK:
 - GREEN PRODUCT IDENTIFICATION LABEL ON PACKAGING:

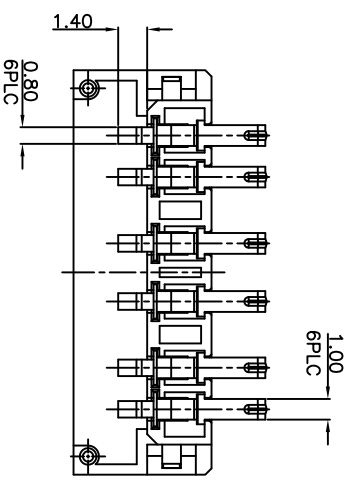


TABLE:

P/N	PLATING
ZBA3030-006111F	G/F ON CONTACT AND SOLDER TAIL AREA; ALL OVER 50μm NICKEL PLATING
ZBA3030-106111F	AU 30μm ON CONTACT AREA; G/F ON SOLDER TAIL AREA; ALL OVER 50μm NICKEL PLATING

NO	DESCRIPTION	QTY	MATERIAL	PLATING & COLOR
C	LOCK	2	BARSS-T=0.20	120μm White Sn AT OVER AREA ALL OVER 50μm NICKEL PLATING.
B	CONTACT	6	Be-Cu, T=0.15	SEE"TABLE"
A	BODY	1	HIGH TEMP.THERMOPLASTIC UL 94V-0	BLACK COLOR

UNLESS OTHERWISE SPECIFIED TOLERANCES		DECIMALS:		ANGLES:		TITLE	
X	:±0.5	X	:±2°	BATTERY CONNECTOR			
X	:±0.3	X	:±1°	DWN 06111F			
X	:±0.2	CHKD SCALE:8:1 UNIT: mm					
APVD Max		SIZE: A3		SHEET: 1 OF 1		REV: A	

Singatron Enterprise Co., Ltd.
信晉企業股份有限公司

CUSTOMER COPY