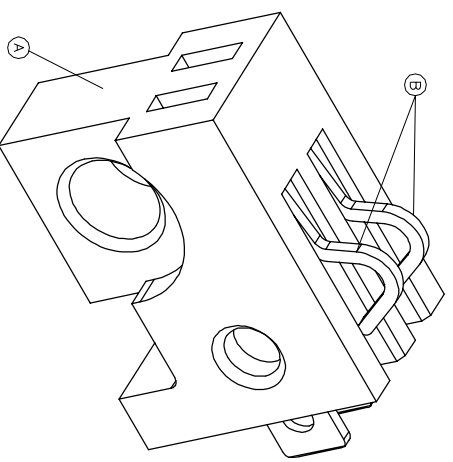
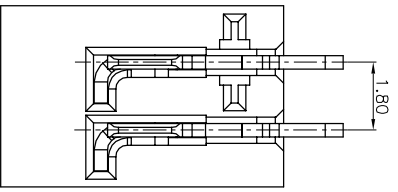
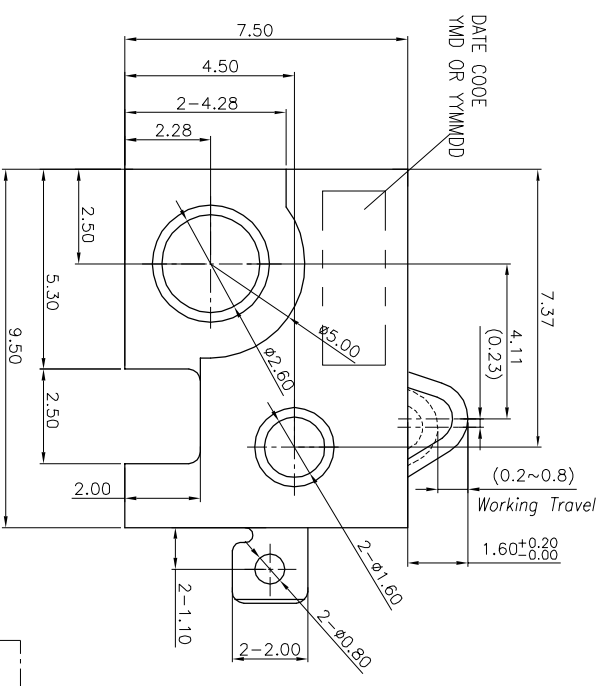
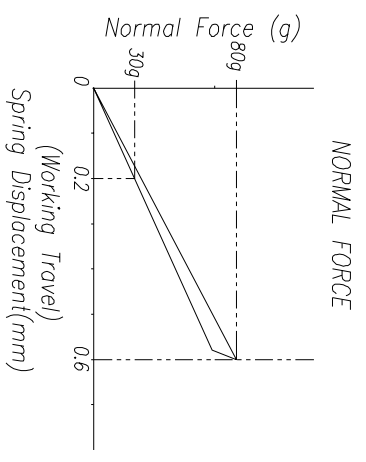
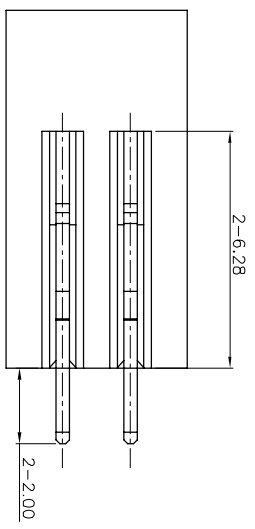
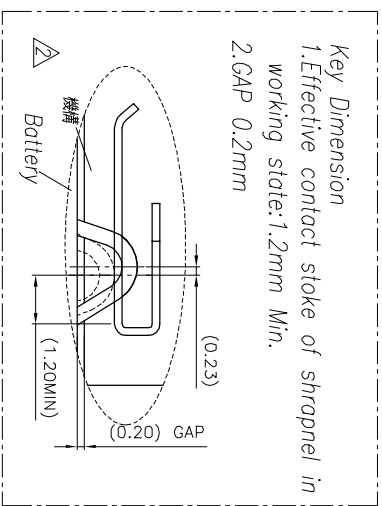
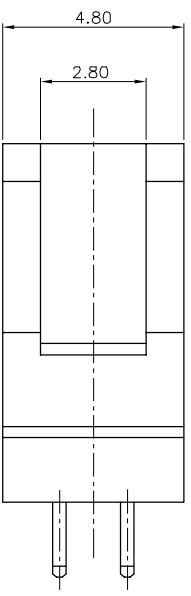


REV	ECN NO OR DESCRIPTION	REVISED	DATE
A	PDR NO.T190701-24	Qizhen	2020.06.23



- NOTES:
- ELECTRICAL PERFORMANCES:
    - RATING: 1A
    - CONTACT RESISTANCE: 50 mΩ MAX.
    - INSULATION RESISTANCE: 100 MΩ MIN.
    - DIELECTRIC WITHSTANDING VOLTAGE : 250V AC MIN.
 FOR ONE MINUTE.
  - MECHANICAL PERFORMANCES:
    - NORMAL FORCE 80gf (FOR WORKING TRAVEL 0.65mm)
    - MECHANICAL OPERATION: 10000 CYCLES.
    - OPERATING TEMPERATURE: -40°C TO 85°C.
  - HALOGEN FREE PRODUCT IDENTIFICATION MARK ON PRODUCT:
  - HALOGEN FREE PRODUCT IDENTIFICATION LABEL ON PACKAGING:
  - TO CONFORM TO THE SINGATRON HSF SPECIFICATION.



B	SPRING	2	COPPER ALLOY T=0.35	GOLD FLASH OVER N1 50U"
A	BODY	1	THERMOPLASTIC UL 94V-0	BLACK
NO	DESCRIPTION	QTY	MATERIAL	PLATING & COLOR
UNLESS OTHERWISE SPECIFIED TOLERANCES				
Singatron Enterprise Co., Ltd. 信音企業股份有限公司				
TITLE: STYLE PEN CHARGER				
DECIMALS:	ANGLES:			
X : ±0.5	X : ±2°			
X.X : ±0.3	X.X : ±1°			
X.XX : ±0.2				

TITLE	STYLE PEN CHARGER
DWN	Qizhen
CHKD	Spring
APVD	Lussen
PART NO. 2BA3071-002111F	
SCALE: --	
UNIT: mm	
SIZE: A3	
SHEET: 1 OF 1	
REV: A	

CUSTOMER COPY