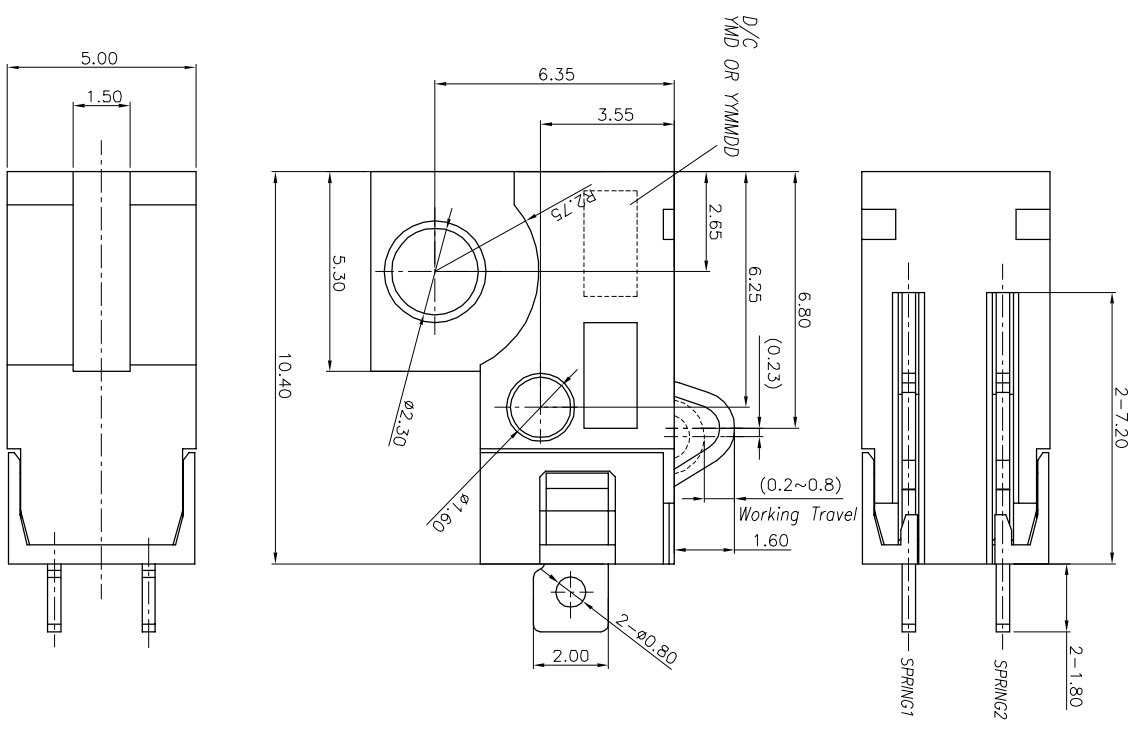
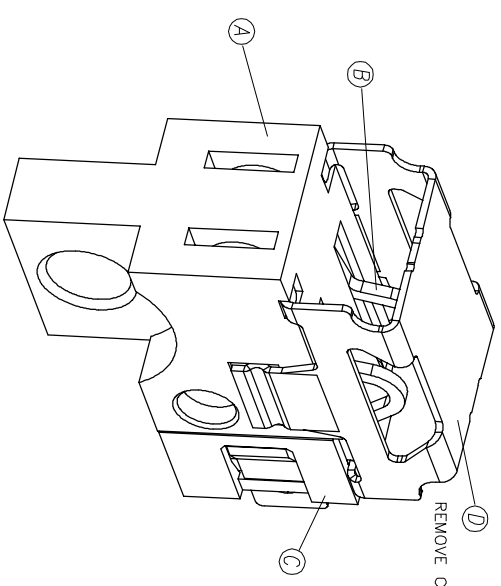
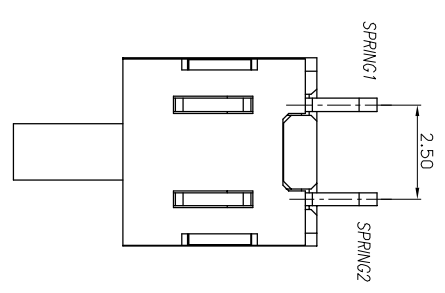
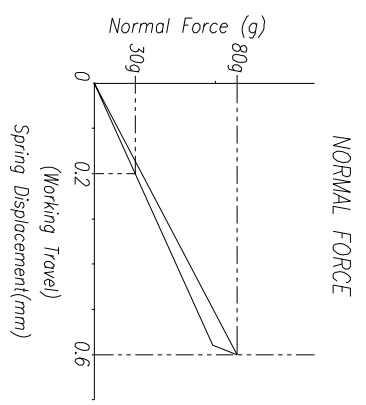


REV	ECN NO OR DESCRIPTION	REVISED	DATE
A	PDR NO.S200727-3A	Qizhen	2021.03.08

NOTES:

1. ELECTRICAL PERFORMANCES:
- 1.1 RATING:1A
 - 1.2 CONTACT RESISTANCE: 50 mΩ MAX.
 - 1.3 INSULATION RESISTANCE: 1000 MΩ MIN.
 - 1.4 DIELECTRIC WITHSTANDING VOLTAGE : 250V AC MIN.FOR ONE MINUTE.
2. MECHANICAL PERFORMANCES:
- 2.1 NORMAL FORCE 80gf (FOR WORKING TRAVEL 0.65mm)
 - 2.2 MECHANICAL OPERATION: 5000 CYCLES.
 - 2.3 OPERATING TEMPERATURE: -40°C TO 85°C.
3. HALOGEN FREE PRODUCT IDENTIFICATION LABEL ON PACKAGING.
4. TO CONFORM TO THE SINGATRON HSF SPECIFICATION.



D	CAP	1	STAINLESS, T=0.2	CLEAN
C	COVER	1	THERMOPLASTIC UL 94V-0	BLACK
B	SPRING	2	COPPY ALLOY T=0.35	GOLD FLASH OVER N° 50U"
A	BODY	1	THERMOPLASTIC UL 94V-0	BLACK
NO	DESCRIPTION	QTY	MATERIAL	PLATING & COLOR

UNLESS OTHERWISE SPECIFIED TOLERANCES

Singatron Enterprise Co., Ltd.
信音企業股份有限公司

DECIMALS:		ANGLES:	
X	:±0.5	X	:±2°
X.X	:±0.3	X.X	:±1°
X.XX	:±0.2		

TITLE	STYLE	PEN CHARGER
DWN	Qizhen	PART NO. 2BA3075-002111F
CHKD	Sky	SCALE: -- UNIT: mm
APVD	Lusser	SIZE: A3 SHEET: 1 OF 1 REV: A

CUSTOMER COPY