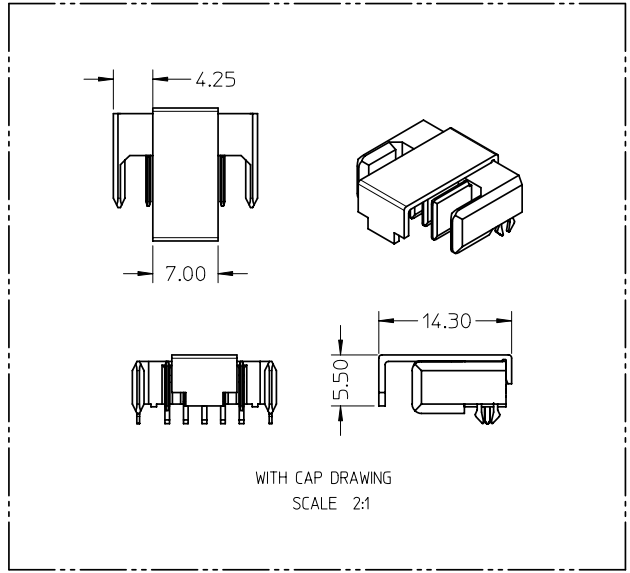
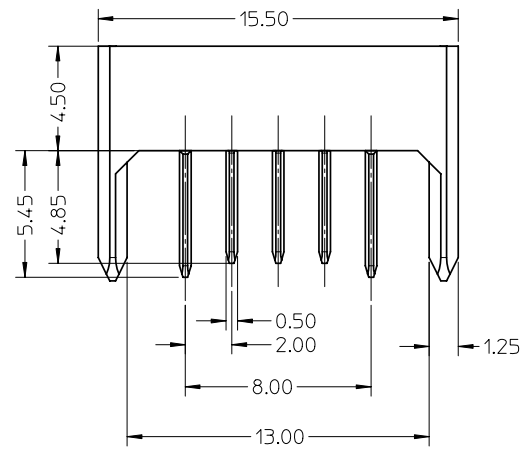


REVISION HISTORY		
REV.	ECN NUMBER	DATE
A	SZZ2009-0356	10/22/09



NOTE:

1.MATERIAL:
 HOUSING: THERMOPLASTIC UL94V-0,BLACK
 TERMINAL: COPPER ALLOY
 FORK LOCK: COPPER ALLOY

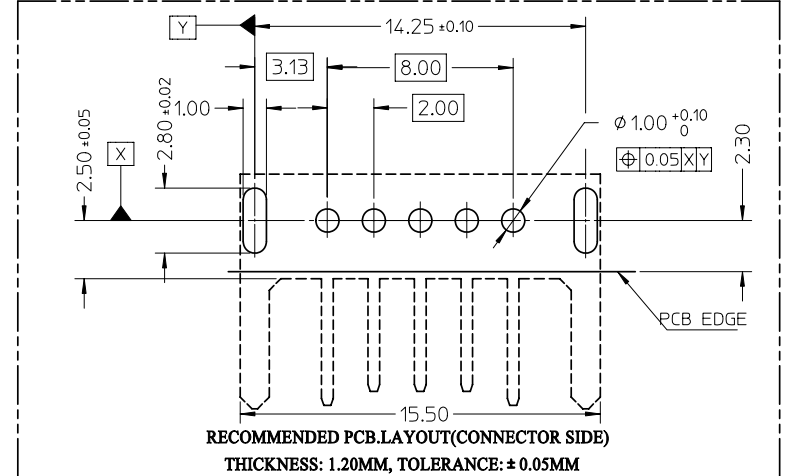
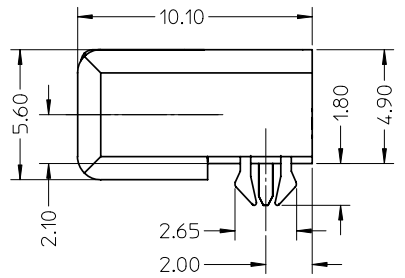
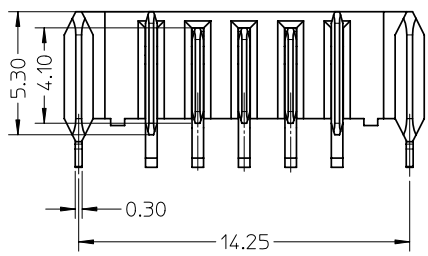
2.FINISH
 CONTACT: NICKEL UNDERPLATED OVER ALL
 GOLD PLATED ON CONTACT AREA&SOLDER TAIL AREA.
 FORK LOCK: NICKEL UNDERPLATED OVER ALL
 MATTE TIN PLATED OVER ALL

3. PRODUCT SPECIFICATION: BTJ_PS002

4. PACKING SPECIFICATION: BTJ-05ME0B_PK001

5. ENVIRONMENTAL:
 OPERATION TEMPERATURE: -40° C ~ +85° C

6. PRODUCT COMPLIANT TO ROHS AND HALOGEN FREE.



NO.	DESCRIPTION	QTY.	MATERIAL	FINISH	REMARKS
3	FORK LOCK	2	COPPER ALLOY	SEE NOTES	---
2	TERMINAL	5	COPPER ALLOY	SEE NOTES	---
1	HOUSING	2	THERMOPLASTIC	---	UL94V-0,BLACK

TOLERANCE UNLESS OTHERWISE SPECIFIED:	
X	---
X.X	± 0.30
X.XX	± 0.20
X.XXX	± 0.10
ANGLE	± 3°

Singatron Enterprise Co., Ltd			
TITLE	BATTERY MALE, 5 PIN, 2.00MM PITCH		
DWN	Rev: 1.00 10/22/09	PART NO.	2BAPTJ-05ME0B
CHKD	SCALE 1:1	UNIT:	mm
APVD	SIZE: A3	SHEET: 1 OF 1	REV: A
CUSTOMER COPY			