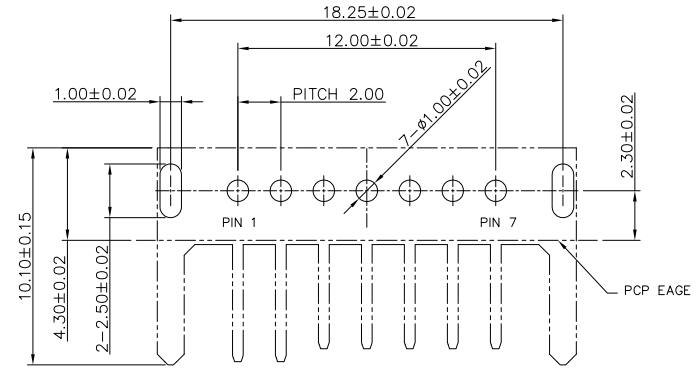
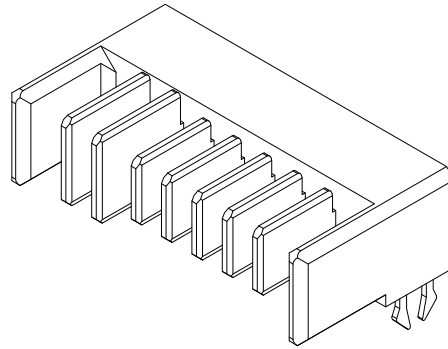
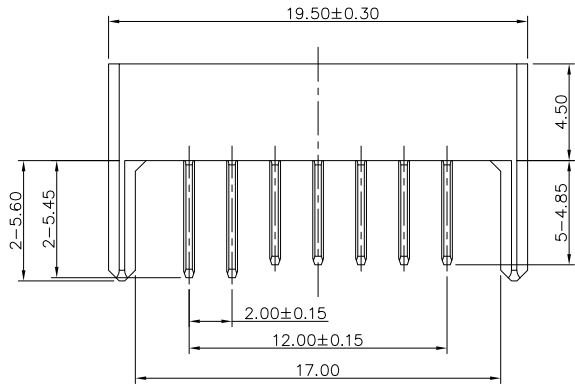
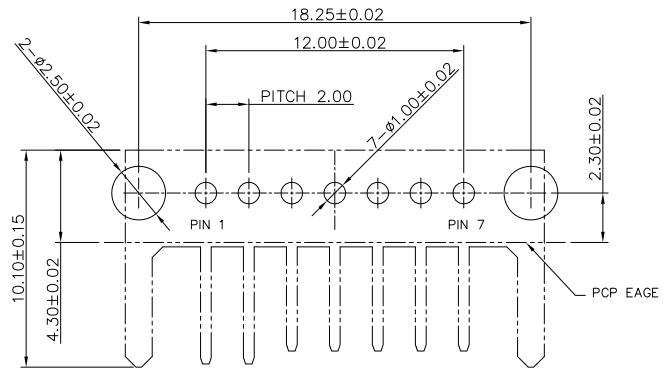


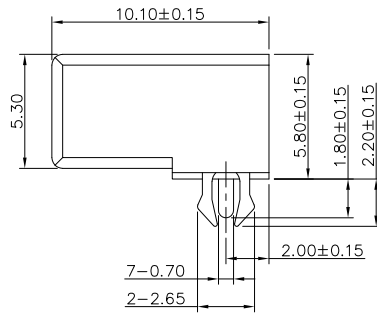
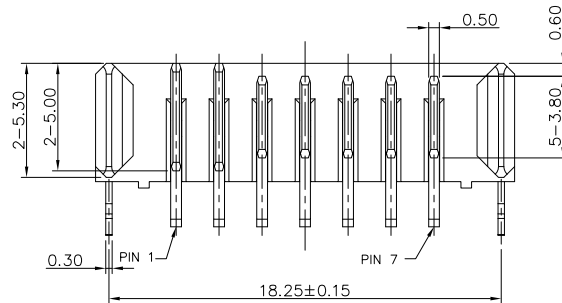
工程變更單號 ECN NO.	版本 REV	日期 DATE	描述 DESCRIPTION
SZ2007-0664	A	08/04/07	開模圖面
SZ2017-0009	B	17/03/03	增標PIN位



RECOMMENDED P.C.B LAYOUT (COMPONENT SIDE)



RECOMMENDED P.C.B LAYOUT (COMPONENT SIDE)



- NOTES:
- ELECTRICAL
    - CURRENT RATING : 7.0A PER PIN MAX.
    - VOLTAGE RATING : 30V DC
    - CONTACT RESISTANCE : 30mΩ MAX (INITIAL) 50mΩ MAX (FINAL)
    - INSULATION RESISTANCE : 1000MΩ MIN
    - DIELECTRIC WITHSTANDING VOLTAGE: 500VAC.
  - PRODUCT SPECIFICATION: BTJ-PS002
  - PACKING SPECIFICATION: BTJ-070L1G-PK001
  - LIFE TEST : 5,000 CYCLES.
  - UNLESS OTHERWISE SPECIFIED TOLERANCE:AS SHOW AS GENERAL TOLERANCE
  - DIMENSIONS MARKED <> EXPRESSING REFERENCE.
  - ENVIRONMENTAL: OPERATION TEMPERATURE : -40C~+85C
  - STORAGE : TEMPERATURE : -5C~+ 35C HUMIDITY : 70 % R.H. MAX. (NO CONDENSATION)
  - PRODUCT NO. : 2BAPTJ-070L1G

1 : NICKEL PLATED 1.27 MICRONS/50u" MIN. OVER ALL  
SELECTIVE GOLD 5u" PLATED OF CONTACT AREA  
GOLD FLASH ON OTHER AREA

3	FORK LOCK	2	IRON ALLOY	---	T=0.30MM	.XX±0.10	.XX'±2'
2	TERMINAL	7	COPPER ALLOY	---	T=0.50MM	.XXX±0.08	
1	HOUSING	1	THERMOPLASTIC	Black	UL94V-0		
NO.	DESCRIPTION	QTY.	MATERIAL	FINISH	REMARKS	GENERAL TOLERANCE UNLESS OTHERWISE NOTED	

General	Angle
X±0.30	X'±5'
.X±0.20	.X'±3'
.XX±0.10	.XX'±2'
.XXX±0.08	

**Singatron Enterprise Co., Ltd.**

<b>TITLE</b>	ASSEMBLY BATTERY CONNECTOR 7 PIN 2.00 PITCH R/A		
<b>DWN</b>	黃正茂 16/12/21	<b>PART NO.</b> 2BAPTJ-070L1G	
<b>CHKD</b>	蔡佳諺 16/12/21	<b>SCALE</b> 1:1	<b>UNIT:</b> mm
<b>APVD</b>	蔡佳諺 16/12/21	<b>SIZE:</b> A3	<b>SHEET:</b> 1 OF 1 <b>REV:</b> B
<b>CUSTOMER COPY</b>			