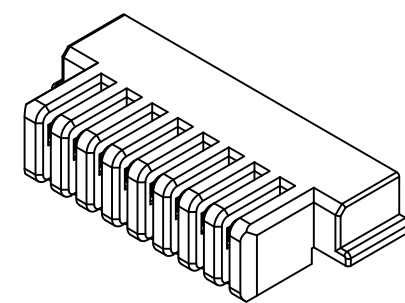
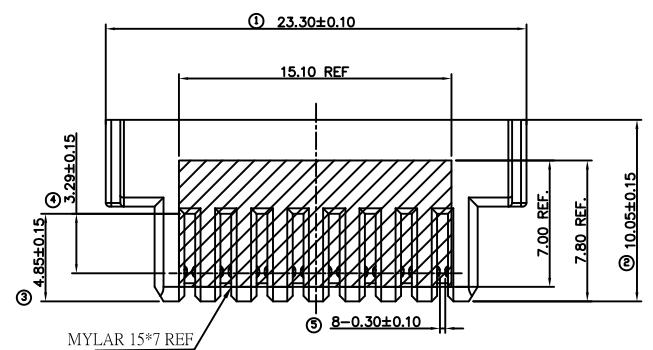
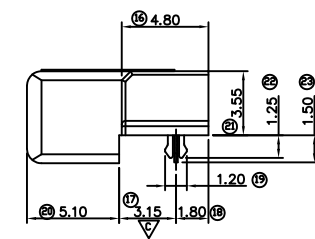
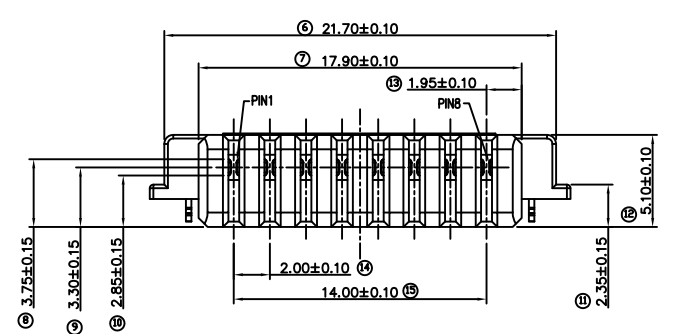


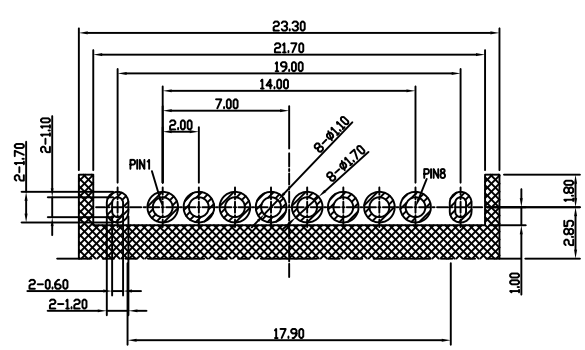
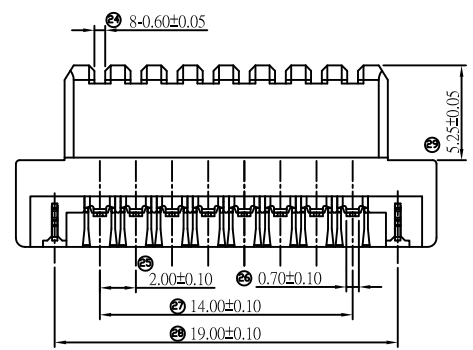
工程變更單號 ECN NO.	版本 REV	日期 DATE	描述 DESCRIPTION
SZ2014-0280	A	15/11/19	發行正版圖面
SZ2014-0280	B	16/08/19	新增電鍍規格



- NOTES.
- ELECTRICAL
 - CURRENT RATING: DC 30V/7A(PER PIN).
 - CONTACT RESISTANCE: INITIAL 30 m OHM MAX. $\Delta R \leq 20m$ OHM
 - INSULATION RESISTANCE: 1000M OHM MIN.
 - DIELECTRIC WITHSTANDING VOLTAGE: 500VDC.
 - PLATING:
 - FORK: NICKEL UNDERPLATED OVER ALL.
MATTE TIN PLATED OVER ALL.
 - MATERIALS
 - HOUSING: HIGH TEMPERATURE PLASTIC, UL 94V-0. BLACK
 - TERMINAL: COPPER ALLOY.
 - FORK: IRON ALLOY.
 - UNLESS OTHERWISE SPECIFIED TOLERANCE: AS SHOW AS GENERAL TOLERANCE
 - PRODUCT SPECIFICATION: BTK-PS016
 - MATING FORCE : 0.3-0.8Kgf
UNMATING FORCE: 0.3-0.8Kgf
 - CONTACT NORMAL FORCE: 0.05Kgf MIN PER CONTACT
 - DURABILITY: 5,000 CYCLES.
 - ENVIRONMENTAL OPERATION TEMPERATURE: -40C~+105C
 - PRODUCT COMPLIANT TO ROHS AND HALOGEN FREE.
 - PART NO.



- 2B BTK-08AKBR X B
 - 4 : 30 μ GOLD PLATING ON CONTACT AREA.
G/F PLATING ON SOLDER AREA.
 - Z : 5 μ MIN GOLD OVER 25 μ MIN 80/20 Pd/Ag ON CONTACT AREA. , G/F PLATING ON SOLDER AREA.
NICKEL UNDERPLATED 50 μ MIN OVER ALL..



RECOMMENDED P.C.B LAYOUT (COMPONENT SIDE)
P.C.B THICKNESS=1.20mm (TOLERANCE=±0.05)

CPK重點 ▽: 1 個

NO.	DESCRIPTION	QTY	MATERIAL	FINISH	REMARKS
4	MYLAR	1	----	----	T=0.08MM
3	FORK	2	IRON ALLOY	----	T=0.30MM
2	TERMINAL	8	COPPER ALLOY	----	T=0.20MM
1	HOUSING	1	THERMOPLASTIC	----	UL94-0.BLACK

General	Angle
X±0.30	X'±5°
.X±0.20	.X'±3°
.XX±0.10	.XX'±2°
.XXX±0.08	

Singatron Enterprise Co., Ltd.

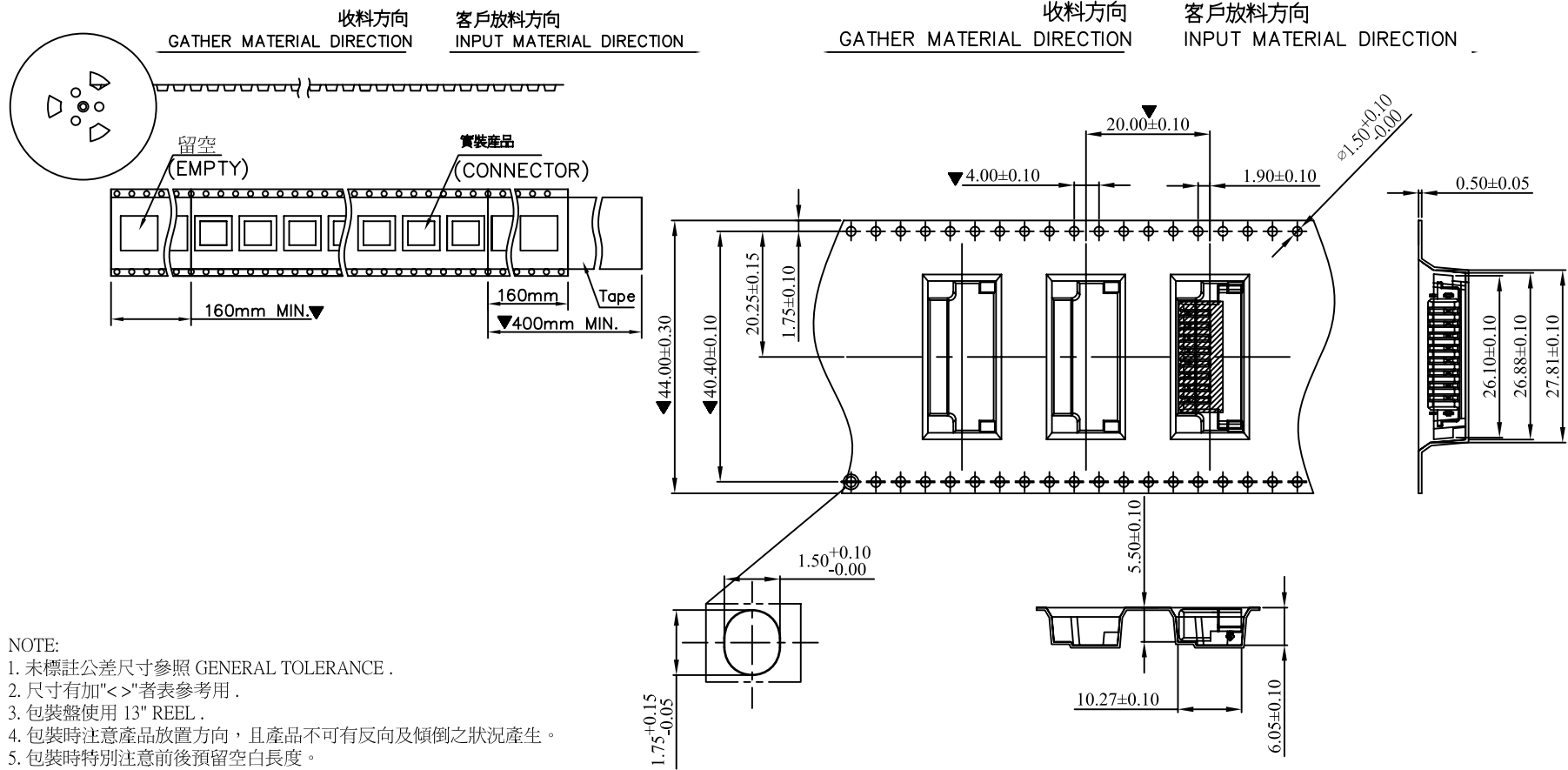
TITLE: 8 PIN 2.00 PITCH FEMALE BATTERY CONNECTOR

DWN: 黃正茂 16/08/19 PART NO. 2B BTK-08AKBR X B

CHKD: 蔡佳謬 16/08/19 SCALE 1:1 UNIT: mm

APVD: 蔡佳謬 16/08/19 SIZE: A3 SHEET: 1 OF 1 REV: B

CUSTOMER COPY



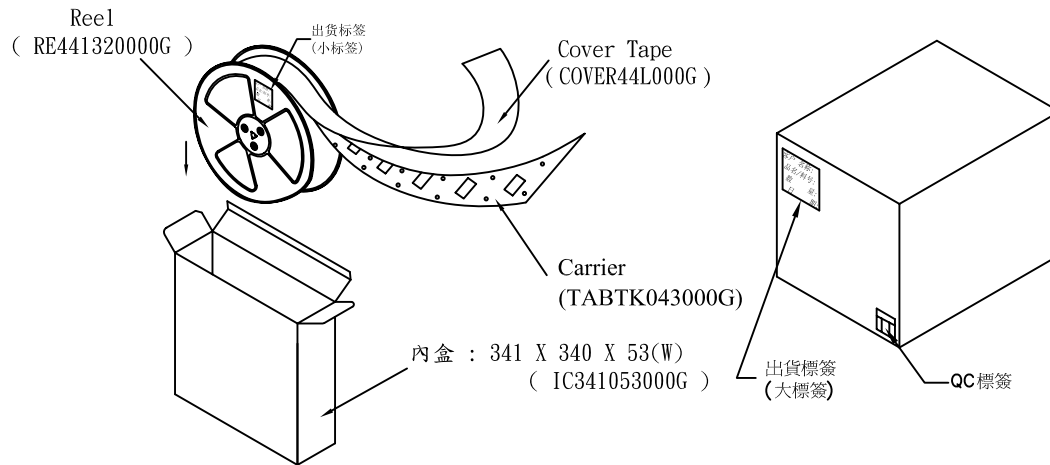
- NOTE:
1. 未標註公差尺寸參照 GENERAL TOLERANCE .
 2. 尺寸有加"<>"者表參考用 .
 3. 包裝盤使用 13" REEL .
 4. 包裝時注意產品放置方向，且產品不可有反向及傾倒之狀況產生 .
 5. 包裝時特別注意前後預留空白長度 .
 6. 包裝產品資訊
 7. 載帶料號: TABTK043000G

重點符號 ▼ : 6 個 CPK重點 : ▽ 0 個

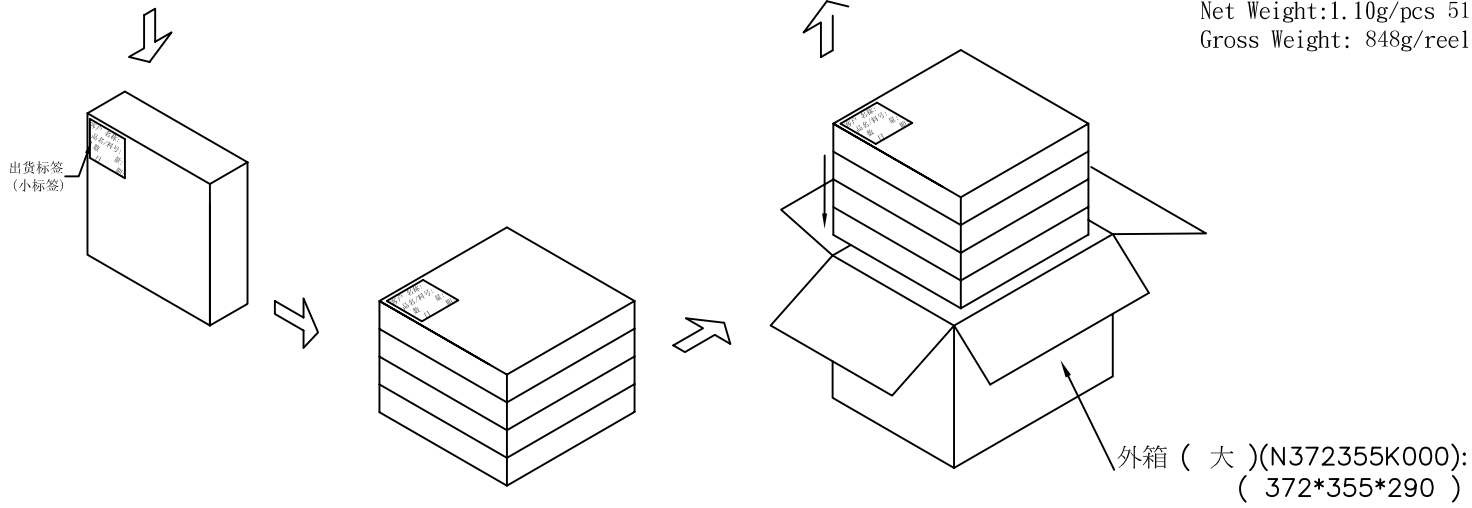
PART NUMBER	Q'TY PER REEL	一外箱包裝盤	Q'TY PER REEL
TABTK043000G	450PCS	5R	2250PCS

General	Angle
X±1.00	X'±2'
.XX±0.50	.X'±1.5'
.XXX±0.25	.XX'±1'
.XXX±0.10	
GENERAL TOLERANCE UNLESS OTHERWISE NOTED	

Singatron Enterprise Co., Ltd.			
TITLE	BATTERY, 8P CONNECTOR		
DWN	黃正茂 15/01/08	PART NO.	TABTK043000G
CHKD	吳傑 15/01/08	SCALE 1:1	UNIT: mm
APVD	蔡佳諺 15/01/08	SIZE: A3	SHEET: 1 OF 1 REV: A
CUSTOMER COPY			



REEL裝成品包裝方式:
 STEP 1. 內盒4PCS (IC341053000G);
 STEP 2. 將REEL(RE441320000G)裝成卷數品達規範後置入內盒內 REEL上須貼小標籤;
 STEP 3. 封盒後在每一個內盒左上角貼上出貨標籤(小);
 STEP 4. 把內盒(4PCS)依次放在外箱(大)(N372355K000G)中;
 STEP 5. 封箱後在外箱右下角貼上出貨標籤(大),在左上角貼上QC顏色標籤.
 450pcs/reel, 5reels/carton=2250pcs
 Net Weight:1.10g/pcs 513g/reel 2565g/carton
 Gross Weight: 848g/reel 4590g/carton



Singatron Enterprise Co., Ltd.			
TITLE	BATTERY, 8PIN CONNECTOR		
DWN	黃正茂 15/01/08	PART NO.	TABTK043000G
CHKD	吳傑 15/01/08	SCALE 1:1	UNIT: mm
APVD	蔡佳諺 15/01/08	SIZE: A3	SHEET:1 OF 1 REV: A
CUSTOMER COPY			