

REVISION HISTORY		
REV.	ECN NUMBER	DATE
A	SZ2010-0489	12/16/10

SPECIFICATION:

1.ELECTRICAL CHARACTERISTICS:

- 1-1.LOW LEVEL CONTACT RESISTANCE (DRY CIRCUIT),
20 MILLIOHMS MAX. INITIAL.
- 1-2.DIELECTRIC WITHSTANDING VOLTAGE:500 VAC AT SEA LEVEL.
- 1-3.INSULATION RESISTANCE:1000 MEGAOHMS MIN. INITIAL.

2.PERFORMANCE:

- 2-1.VOLTAGE RATING: 30V DC,
- 2-2.CURRENT RATING:7.0 AMPS MAX. PER CONTACT.
- 2-3.OPERATING TEMPERATURE: -40° C~+85° C

3.MECHANICAL:

- 3-1.DURABILITY(MATING/UNMATING CYCLES):5000 CYCLES.
- 3-2.NORMAL FORCE :0.05Kgf MIN./PIN
- 3-3.MATING FORCE: 0.035Kgf PER PIN ~ 0.35Kgf PER PIN
UNMATING FORCE: 0.025Kgf PER PIN ~ 0.24 Kgf PER PIN

4.PRODUCT NO MATRIX:

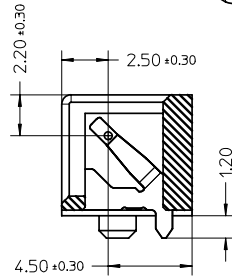
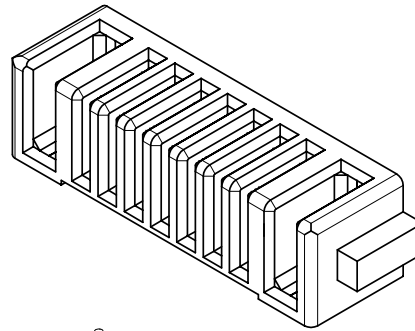
2BABTK - 07 CM 1 B

PRODUCT COMPLIANT TO ROHS AND HALOGEN FREE.

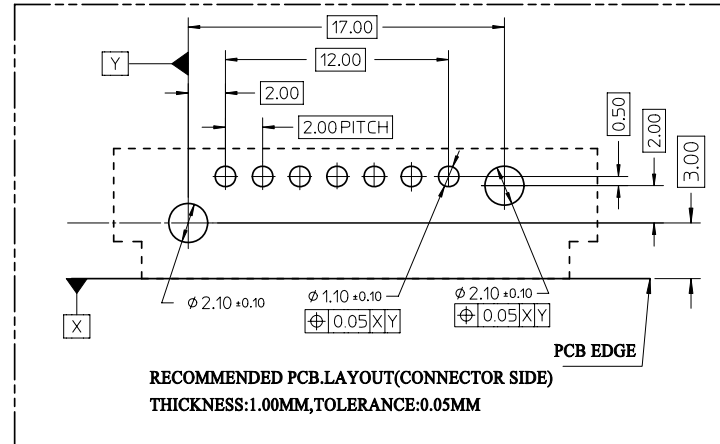
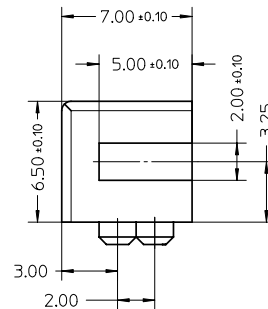
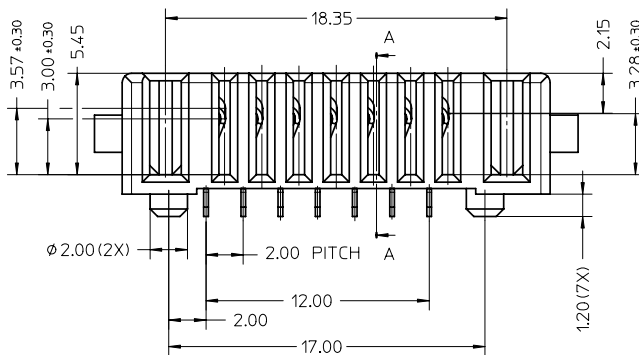
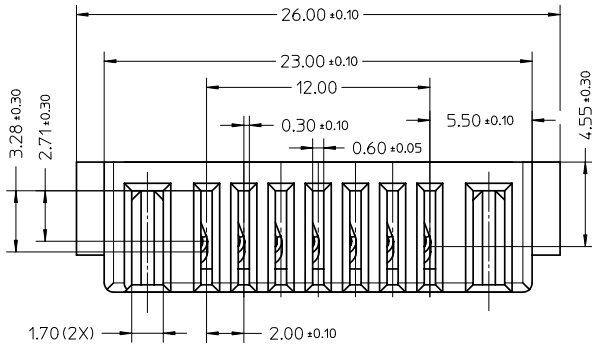
TERMINAL PLATING: NICKEL UNDERPLATED 1.27 MICRONS /50u" MIN. OVER ALL
GOLD PLATED 0.127 MICRONS/5u" MIN. ON CONTACT AREA
GOLD FLASH PLATED OVER ALL

CONNECTOR TYPE.

THE No. OF POS.: 07= 7 POS.
BATTERY CONNECTOR REC.



SECTION A-A



NO.	DESCRIPTION	QTY.	MATERIAL	FINISH	REMARKS
2	TERMINAL	7	COPPER ALLOY	SEE NOTES	---
1	HOUSING	1	THERMOPLASTIC	---	UL94V-0, BLACK

TOLERANCE UNLESS OTHERWISE SPECIFIED:	
X	---
X.X	± 0.30
X.XX	± 0.20
X.XXX	± 0.10
ANGLE	± 3°

Singatron Enterprise Co., Ltd.				
TITLE	BATTERY CONNECTOR FEMALE, 7 PIN, 2.00MM PITCH			
DWN	ERIC. BAI	PART NO.	2BABTK - 07 CM 1 B	
CHKD	12/16/10	SCALE	1:1	UNIT: mm
APVD		SIZE:	A3	SHEET: 1 OF 1
		REV:	A	
CUSTOMER COPY				