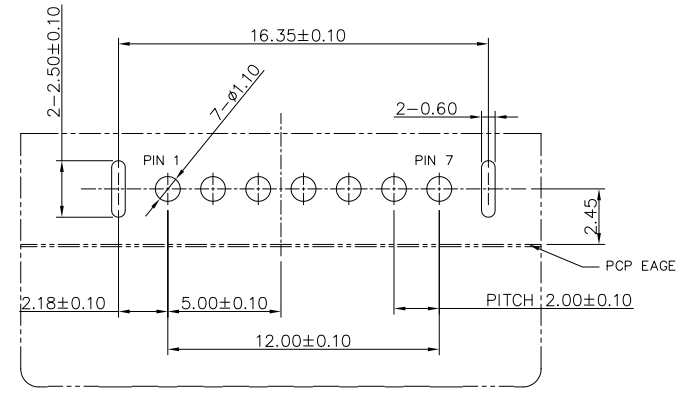
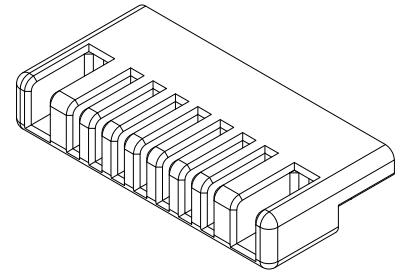
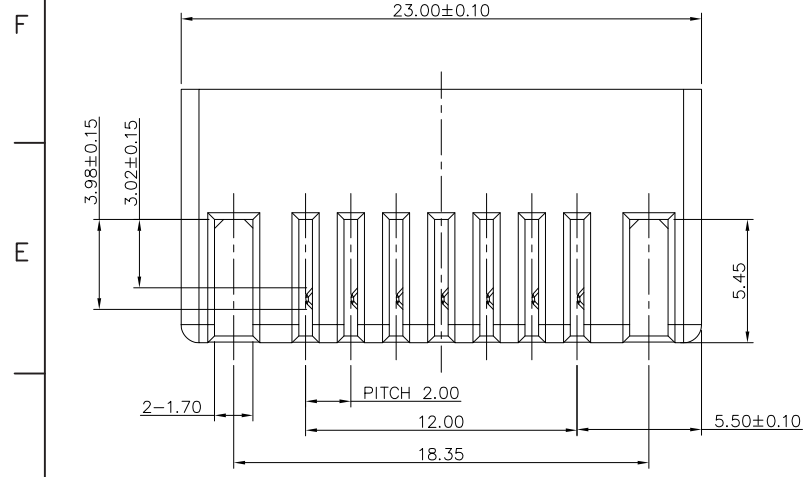
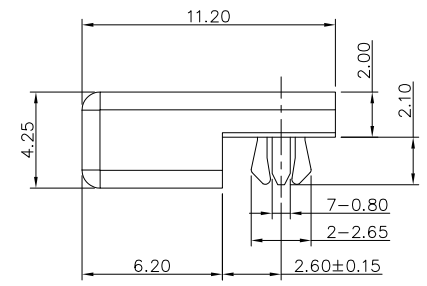
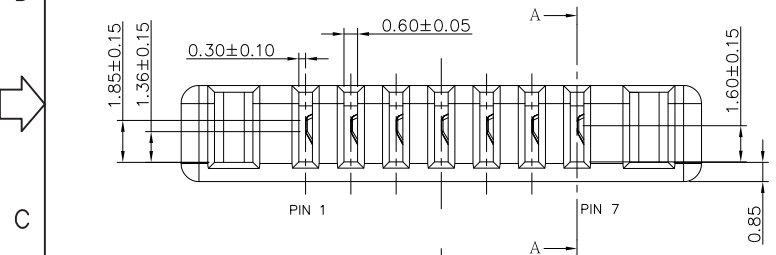


RoHS Compliant HSF

工程變更單號 ECN NO.	版本 REV	日期 DATE	描述 DESCRIPTION
SZ2010-0209	A	10/05/28	開模圖面
SZ2010-0386	B	10/08/16	修改標註尺寸
SZ2017-0008	C	17/03/03	增標PIN位

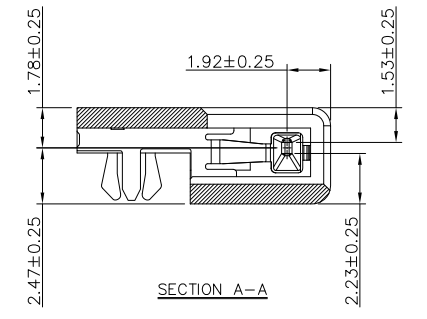
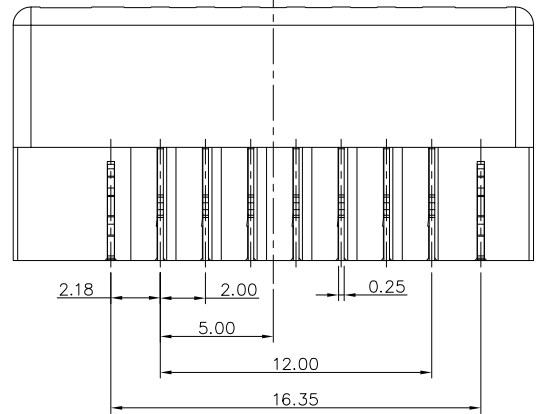


RECOMMENDED P.C.B LAYOUT (COMPONENT SIDE)
P.C.B THICKNESS=1.20mm (TOLERANCE=±0.05)



- NOTES.
- ELECTRICAL
 - CURRENT RATING : 7.0A PER PIN MAX.
 - VOLTAGE RATING : 30V DC
 - CONTACT RESISTANCE : 20mΩ MAX (INITIAL) 40mΩ MAX (FINAL)
 - INSULATION RESISTANCE : 1000MΩ MIN
 - DIELECTRIC WITHSTANDING VOLTAGE: 500VAC.
 - MATING FORCE : 0.035 kgf PER PIN ~ 0.35 kgf PER PIN
 - UNMATING FORCE : 0.025 kgf PER PIN ~ 0.24 kgf PER PIN
 - LIFE TEST : 5,000 CYCLES.
 - UNLESS OTHERWISE SPECIFIED TOLERANCE:AS SHOW AS GENERAL TOLERANCE
 - DIMENSIONS MARKED <> EXPRESSING REFERENCE.
 - ENVIRONMENTAL: OPERATION TEMPERATURE : -40C°~+85C°
 - STORAGE : TEMPERATURE : -5C°~+35C° HUMIDITY : 70 % R.H. MAX. (NO CONDENSATION)
 - PRODUCT NO. : **2BABTK-07PK1B**

1 : NICKEL PLATED 50u" MIN. OVER ALL
GOLD PLATED 5u" MIN. ON THE CONTACT AREA
GOLD FLASH ON OTHER AREA



NO.	DESCRIPTION	QTY.	MATERIAL	FINISH	REMARKS
3	FORK LOCK	2	IRON ALLOY	---	T=0.30MM
2	TERMINAL	7	COPPER ALLOY	---	T=0.25MM
1	HOUSING	1	THERMOPLASTIC	Black	UL94V-0

General	Angle
X±0.30	X°±5°
.X±0.20	.X°±3°
.XXX±0.10	.XX°±2°
.XXX±0.08	

Singatron Enterprise Co., Ltd.

TITLE: BATTERY CONNECTOR FEMALE 7 PIN 2.00 PITCH R/A

DWN: 黃正茂 17/03/03 **PART NO. 2BABTK-07PK1B**

CHKD: 蔡佳謨 17/03/03 **SCALE 1:1 UNIT: mm**

APVD: 蔡佳謨 17/03/03 **SIZE: A3 SHEET: 1 OF 1 REV: C**

CUSTOMER COPY