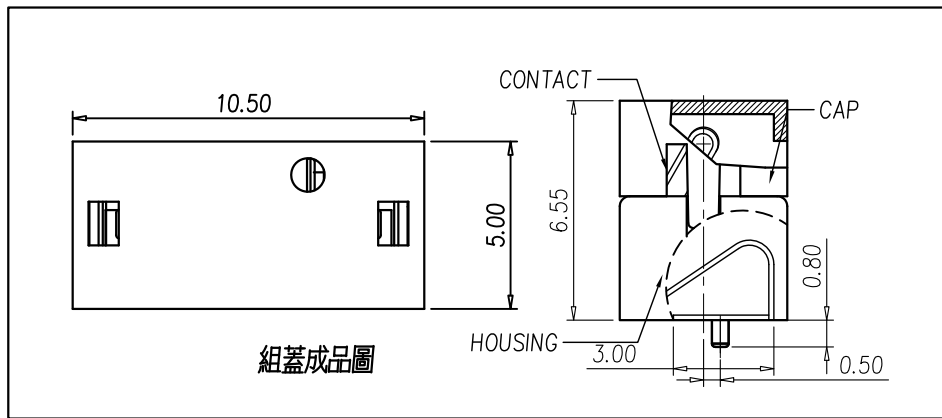
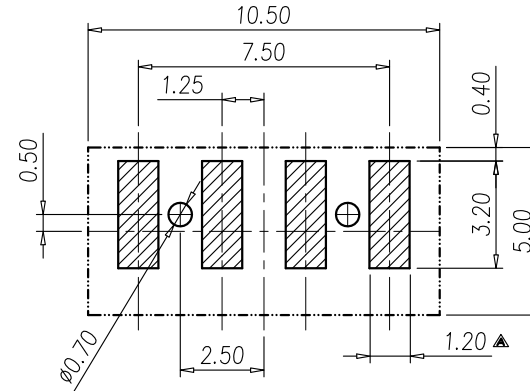
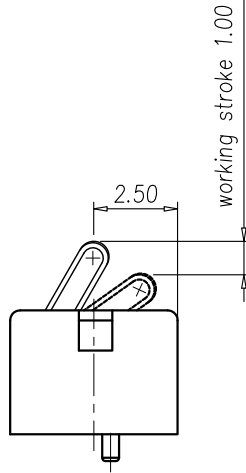
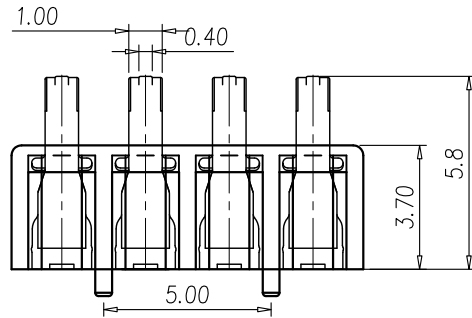
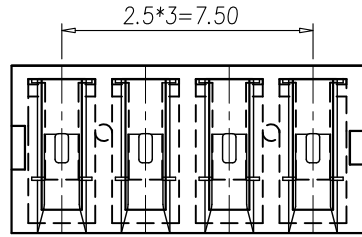


REV.	ECN NO.	DATE
A		



NOTE :

- MATERIAL :**
 - 1-1. HOUSING : LCP UL94V-0 ; COLOR : BLACK
 - 1-2. CONTACT : BERYLLIUM COPPER
 - 1-3. CAP : LCP UL94V-0 ; COLOR : BLACK
- FINISH :**
 - 2-1. CONTACT A : 30 MICRO INCHES MIN. GOLD PLATED
 - UNDER PLATE : NICKEL
- ELECTRICAL SPECIFICATION :**
 - 3-1. Rated current : 1.5A
 - 3-2. Voltage : 125V
- Environmental :**
 - 4-1. Operation Temperature : -40℃ ~ +105℃

Singatron Enterprise Co., Ltd.

TITLE	2.50mm Pitch 4 Pin Spring Battery Connector SMT Type				
DWN	Yeh chon 22/12/2008	PART NO.	2BAS2503-04MSB30LB		
CHKD	Emily Sune	SCALE	1:1	UNIT:	mm
APVD	James Chan	SIZE:	A3	SHEET:	1 OF 1
				REV:	A
CUSTOMER COPY					

XX.±5	XX.°±1°
X.±0.5	X.°±0.5°
.X±0.3	.X°±0.25°
.XX±0.20	.XX°±0.1°