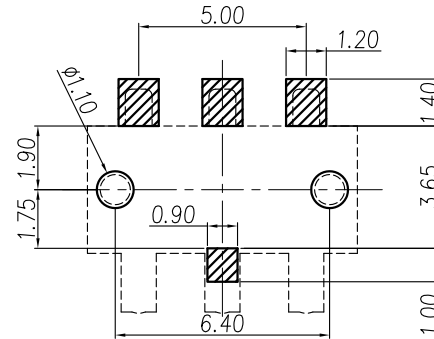
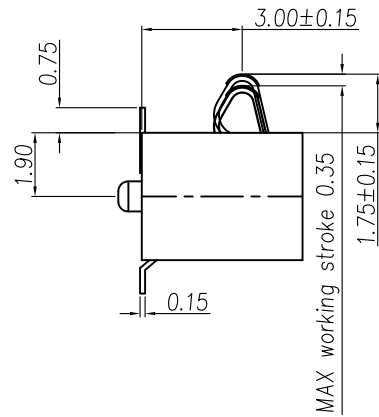
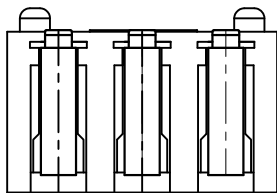
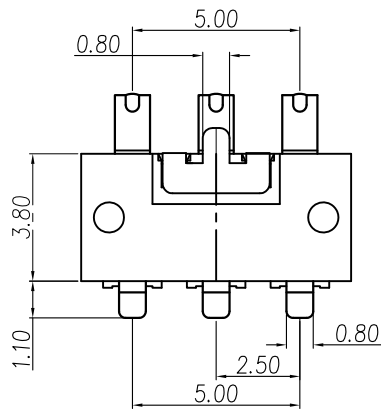
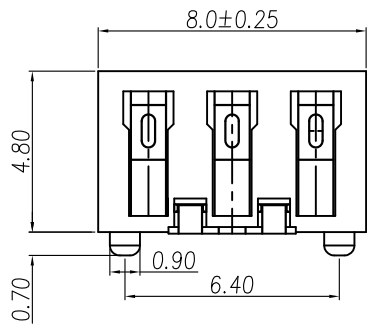


REV.	ECN NO.	DATE
A		



RECOMMENDED P.C.B LAYOUT

- MATERIAL :
 - HOUSING : PA9T UL94V-0 ; COLOR : BLACK
 - CONTACT : BERYLLIUM COPPER
 - GROUND : PHOSPHOR BRONZE
- FINISH :
 - CONTACT AREA : 30 MICRO INCHES MIN. GOLD PLATED
 - UNDER PLATE : NICKEL
- ELECTRICAL SPECIFICATION :
 - Rated current : 1.5A
 - Voltage : 125V
- Environmental :
 - Operation Temperature : -40℃ ~ +105℃

Singatron Enterprise Co., Ltd.

TITLE	2.50mm Pitch 3 Pin Spring Battery Connector SMT Type		
DWN	Yeh_chon 06/07/2010	PART NO.	2BAS2504-03MRB30NB
CHKD	Emily Sune	SCALE	1:1 UNIT: mm
APVD	James Chan	SIZE	A3 SHEET: 1 OF 1
XX±5	XX.±1°	REV: A	
X.±0.5	X.±0.5°	CUSTOMER COPY	
.X±0.3	.X°±0.25°		
.XX±0.20	.XX°±0.1°		