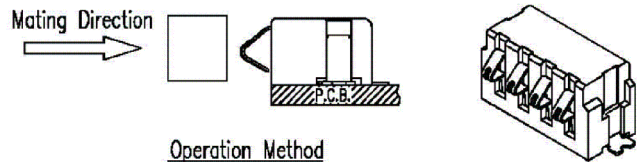
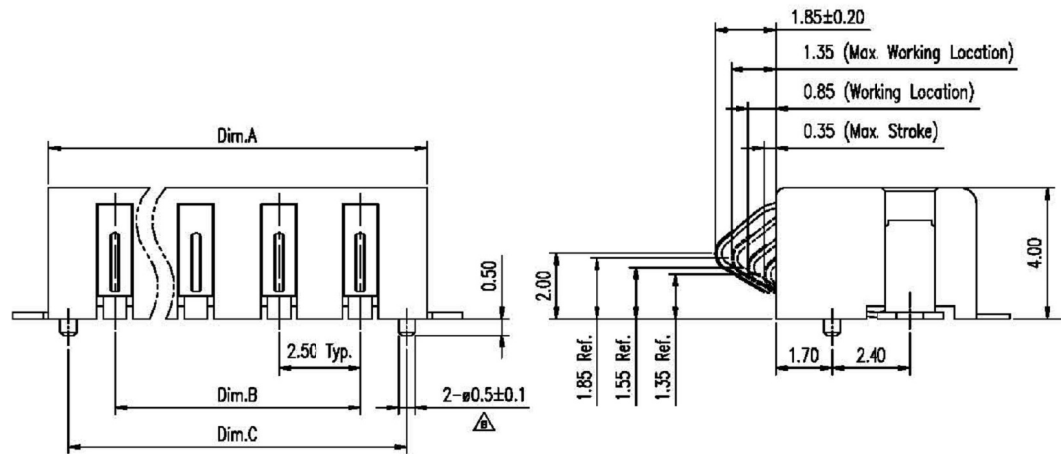


Recommended P.C.B. Layout
Layout Tolerance = ± 0.05mm



Notes:

- Material:**
Housing: Thermoplastic UL 94V-0, Black
Terminal: Copper Alloy
Latch: Copper Alloy
- Finish:**
Terminal: Selected Gold on Contact Area,
G/F on Solder Tails, Both over
Nickel Under-plated Overall
Latch: Tin over Nickel Under-plated Overall
- Mechanical Characteristics:**
Per Pin Force: 80g Ref. at Max. Working Location
200g Max. at Working Location
250g Ref. at Max. Stroke
Life Cycle: 5,000 Cycles
- Part must be soldered on the P.C.B.
- Order Information:

2BAZZ130 X 012 X X

Amount of Pins

*See Dimension Information

Packing Option

T: Tube

R: Reel

Plating Option

1: G/F Overall

2: 2u" Min. Gold on Contact Area

3: 5u" Min. Gold on Contact Area

5: 15u" Min. Gold on Contact Area

8: 30u" Min. Gold on Contact Area

Dimension Information:

Amount of Pins	Dim.A	Dim.B	Dim.C	Dim.D	Dim.E	Dim.F
3	9.00	5.00	7.80	11.20	7.00	9.70
4	11.50	7.50	10.30	13.70	9.50	12.20
5	14.00	10.00	12.80	16.20	12.00	14.70
6	16.50	12.50	15.30	18.70	14.50	17.20
7	19.00	15.00	17.80	21.20	17.00	19.70
8	21.50	17.50	20.30	23.70	19.50	22.20

SER	AREA	REVISIONS	CHK	DATE

UNLESS OTHERWISE SPECIFIED TOLERANCES ARE
.X ±0.38
.XX ±0.25
.XXX ±0.13
ANG. ±5°

Singatron Enterprise Co., Ltd.				
TITLE	2.5mm Pitch Spring Battery Conn.			
DWN	Tracy	PART NO. 2BAZZ130X012XX		
CHKD	Andy	SCALE 1:1	UNIT: mm	④
APVD	2019-03-13	SIZE: A3	SHEET: 1 OF 1	REV: A
CUSTOMER COPY				