

Specifications:

1. Current Rating : 0.3A AC/DC
2. Voltage Rating : 30V AC/DC
3. Contact Resistance : 80m ohm. max.
4. Insulation Resistance : 1000M ohm. min.at 250V DC
5. Withstanding Voltage :150V AC for one minute
6. Operating Temperature Range : -55°C to +85°C

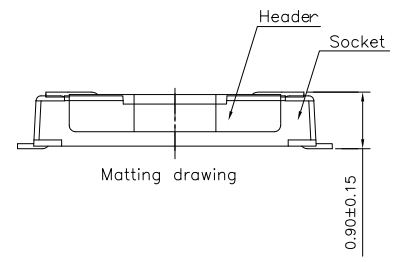
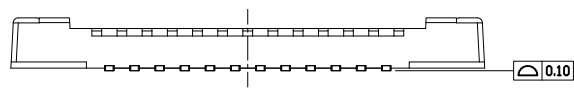
Material and Plated

- 1.Housing : High Temp Plastic. (UL94V-0)
- 2.Contact : Copper Alloy
- 3.Plated : Gold Plated

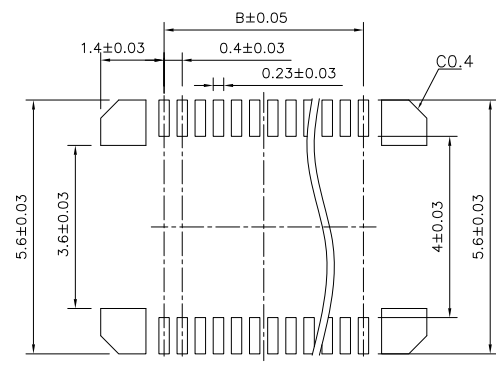
How To Order

2BB2004S-XXG-H09

- Matting Height 0.90mm
- Gold Plated
- No. Of Contact
- S:Socket



Circuits	Dim.A	Dim.B	Circuits	Dim.A	Dim.B
10	4.70	1.60	40	10.70	7.60
20	6.70	3.60	50	12.70	9.60
24	7.50	4.40	60	14.70	11.60
30	8.70	5.60	70	16.70	13.60



PCB Layout

RoHS Compliant

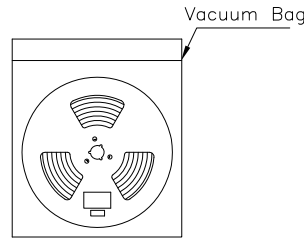
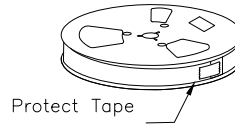
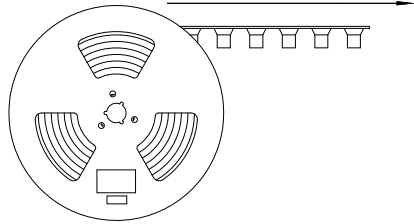
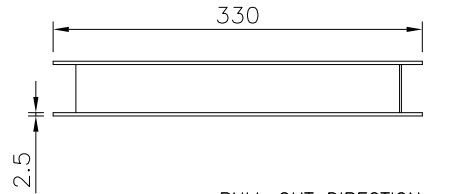
Singatron Enterprise Co., Ltd.

TITLE	0.4mm Board To Board Socket Matting Height 0.90mm			
DWN	Ben Lin	PART NO.	2BB2004S-XXG-H09	
CHKD	Jerry Chen	SCALE	1:1	UNIT: mm
APVD	Rory Chen	SIZE	A3	SHEET: 1 / 2
REV: A				
CUSTOMER COPY				

GENERAL TOLERANCE:
.X = ±0.2
.XX = ±0.15

B			
A	18-Jul-2019		Ben Lin
REV	DATE	FILE	BY
	1	2	3

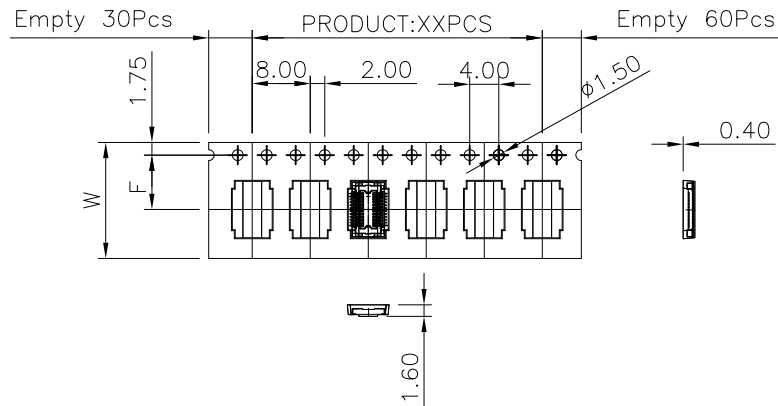
1 2 3 4 5 6 7 8



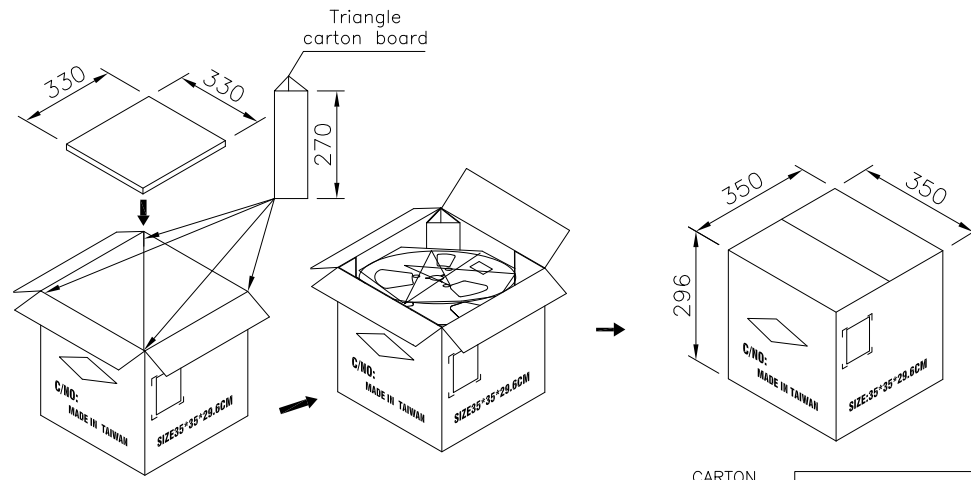
Note:

- 1.All dimensions meet EIA-481-D requirements.
- 2.Material: Transparent Conductive Polystyrene Alloy 100% recyclable.
- 3.Thickness : 0.4±0.05mm
- 4.Component load per 13" reel reel :5000 pcs.
- 5.Carton Size:
Carton Size:350*350*296(MM)

Pin No.	W	F	PCS/R	R/CTN	Q'TY
10	16	7.5	5000	12	60,000
20	16	7.5	5000	12	60,000
24	16	7.5	5000	12	60,000
30	16	7.5	5000	12	60,000
40	24	11.5	5000	9	45,000
50	24	11.5	5000	9	45,000
60	24	11.5	5000	9	45,000
70	24	11.5	5000	9	45,000



For Reel width (dimension W) 16,24mm
Single row hole



CARTON RoHS Compliant

B			
A	18-Jul-2019		Ben Lin
REV	DATE	FILE	BY

GENERAL TOLERANCE:
.X=±0.2
.XX=±0.15

Singatron Enterprise Co., Ltd.			
TITLE	0.4mm Board To Board Socket Matting Height 0.90mm		
DWN	Ben Lin	PART NO. 2BB2004S-XXG-H09	
CHKD	Jerry Chen	SCALE 1:1	UNIT: mm
APVD	Rory Chen	SIZE: A3	SHEET: 2 / 2
REV: A			
CUSTOMER COPY			

1 2 3 4 5 6 7 8