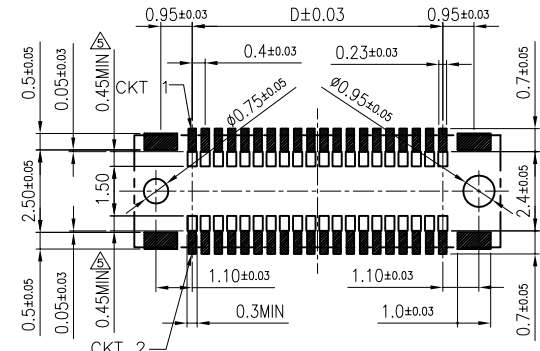


RECOMMENDED PCB LAYOUT  
GENERAL TOLERANCE ±0.05  
WITHOUT BOSS



RECOMMENDED PCB LAYOUT  
GENERAL TOLERANCE ±0.05  
WITH BOSS

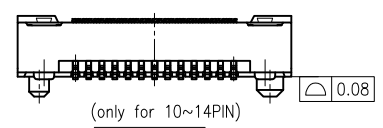
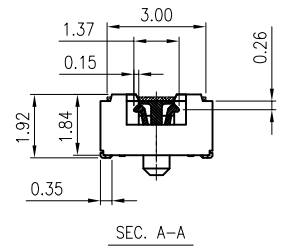
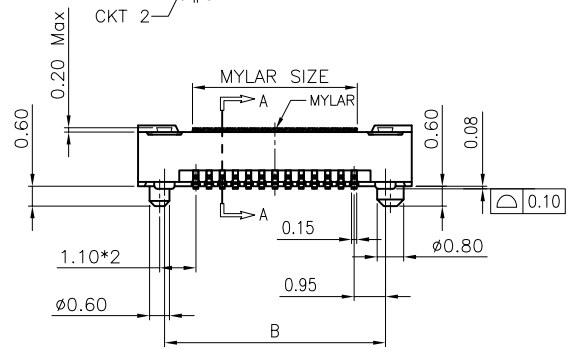
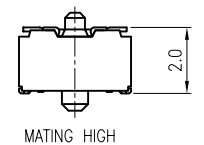
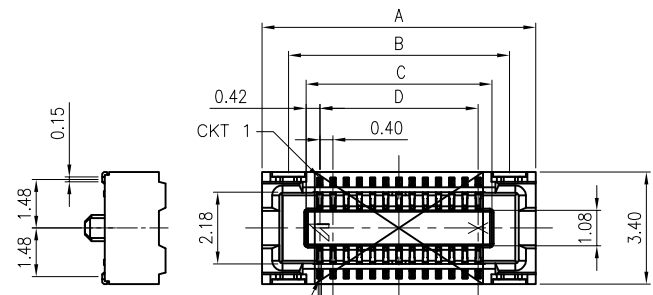
- NOTES:
- MATERIAL:
    - HOUSING: THERMOPLASTIC, HIGH TEMP., UL94V-0; COLOR IS BLACK.
    - CONTACT: COPPER ALLOY
  - FINISH:
    - CONTACT: 50u"~100u" NICKEL UNDERPLATING OVERALL.
      - GOLD FLASH
    - FITTING NAIL: 50u"~100u" NICKEL UNDERPLATING OVERALL. 100u"~200u" MATT TIN OVER ALL
  - IR REFLOW CAPABLE TO 260°C PER ACES SPEC.
  - SPEC. PLS. REFER TO PS-50007-xxxx-xxx
  - NO PRINT CIRCUIT AREA OTHER THAN THE SAME CIRCUIT.
  - PART NUMBER

2BB50009-XXX X X-XXX

No Of CKT

XXX	Color	Halogen Free	Polarization	Packing
001	Black	HF	with boss	88661-xxxxB-TRP
002	Black	HF	without boss	88661-xxxx-TRP
003	Black	HF	with boss	88661-xxxxB-01-TRP

- PACKING
- 0: TAPE & REEL
  - 1: TUBE PACKAGE
  - 4: TAPE & REEL WITH MYLAR
  - 5: TUBE WITH MYLAR
- PLATING
- 1: GOLD FLASH



CKT	Dim A	Dim B	Dim C	Dim D	Mylar Size
10	5.10	3.50	2.44	1.60	2.5
14	5.90	4.30	3.24	2.40	
20	7.10	5.50	4.44	3.60	
24	7.90	6.30	5.24	4.40	3.0
26	8.30	6.70	5.64	4.80	
30	9.10	7.50	6.44	5.60	5.0
34	9.90	8.30	7.24	6.40	
40	11.10	9.50	8.44	7.60	
50	13.10	11.50	10.44	9.60	10.0
60	15.10	13.50	12.44	11.60	
70	17.10	15.50	14.44	13.60	
80	19.10	17.50	16.44	15.60	15.0
90	21.10	19.50	18.44	17.60	
100	23.10	21.50	20.44	19.60	
120	27.10	25.50	24.44	23.60	

一般公差  
TOLERANCES  
X .±0.5 .XX ±0.15  
.X ±0.25 .XXX ±0.1  
ANGLES ±2°

檢驗尺寸標示  
SYMBOLS ① ② INDICATE CLASSIFICATION DIMENSION  
③ MARK IS CRITICAL DIM.  
④ MARK IS MAJOR DIM.

Singatron Enterprise Co., Ltd.				
TITLE	0.4mm BTB D/R RCPT SMT S/T TYPE			
DWN	16/7/13	PART NO.	2BB50009-XXX X X-XXX	
CHKD	ANDREW	SCALE	1:1	UNIT: mm
APVD	CHARLESLEE	SIZE:	A3	SHEET: 1 OF 1 REV: K
<b>CUSTOMER COPY</b>				