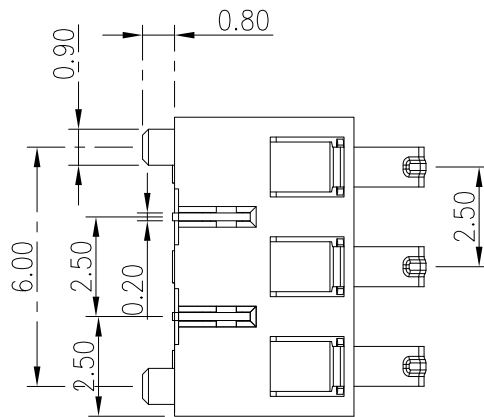
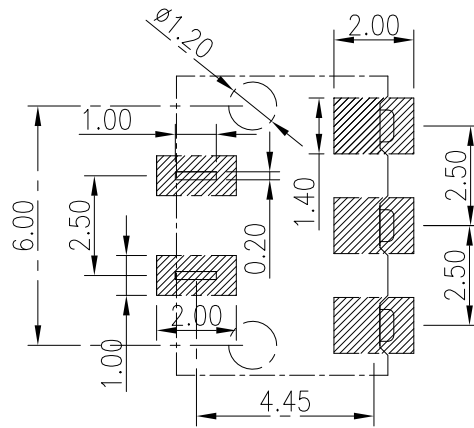
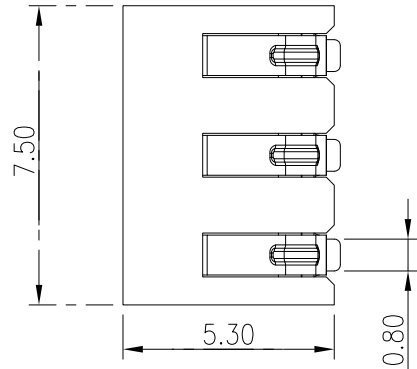
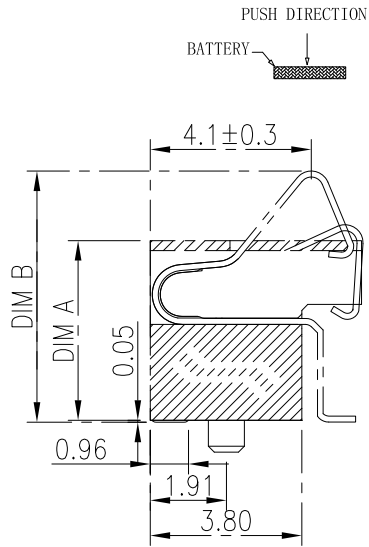


GP Component



Notes:

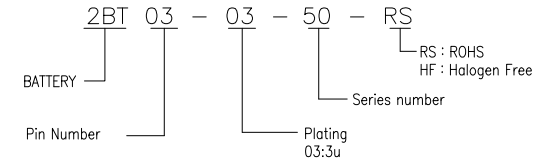
1.Material:

- 1.Insulator: LCP
- 2.Terminal: Pho.Bronze,3u Plated

2.Electrical specifications:

- Voltage Current rating: 2.0A, 12V
- Dielectric Withstanding Voltage: 500V
- Contact Resistance: $30m\Omega$ MAX
- Insulation Resistance: 500Mohm
- Temperteure Rating: $-40^{\circ}C$ to $+85^{\circ}C$

PART NO:



PART NO.	DIM A	DIM B
2BT03-03-49-RS	4.0	5.90 ± 0.2
2BT03-03-50-RS	4.5	6.40 ± 0.2
2BT03-03-51-RS	5.5	7.40 ± 0.2

TOLERANCE:	
X	
X.X	± 0.38
X.XX	± 0.25
X.XXX	± 0.15
ANGLE:	$\pm 3^{\circ}$

Singatron Enterprise Co., Ltd.				
TITLE	Battery connector			
DWN	Hanson Huang	PART NO.	2BT03-03-50-RS	
CHKD	2022/04/24	SCALE	1:1	UNIT: mm
APVD	Richard Hsieh	SIZE:	A3	SHEET: 1 OF 1 REV: A0
CUSTOMER COPY				