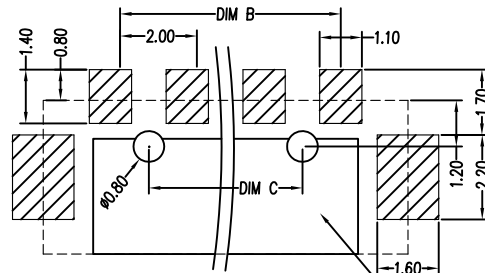
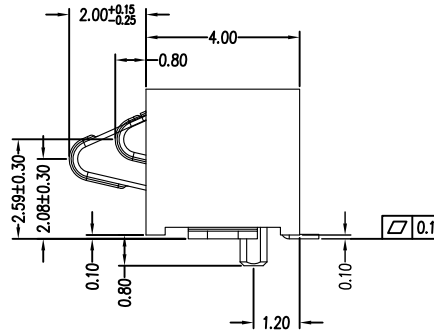
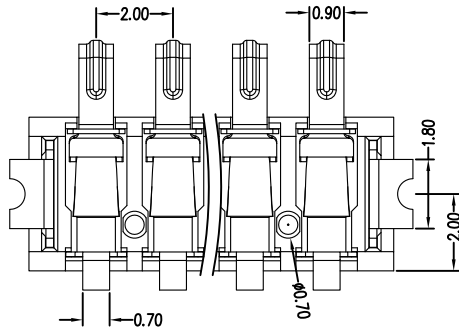
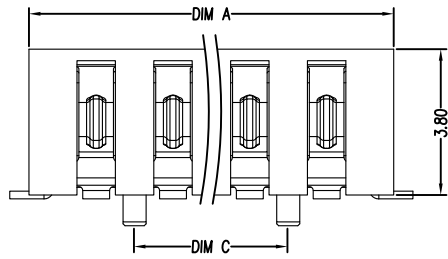
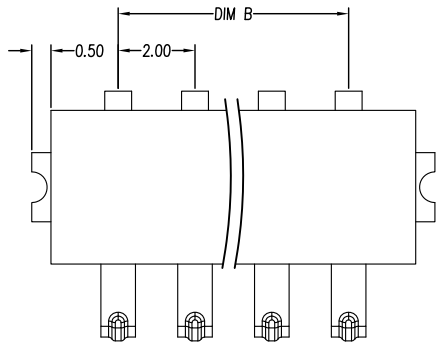


GP Component



RECOMMENDED PCB LAYOUT  
TOL:(±0.05)

KEEP OUT AREA

Notes:

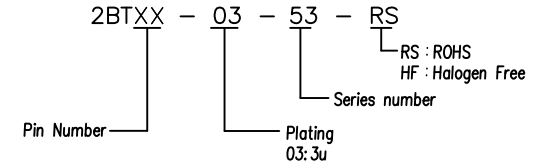
1.Material:

- 1.Insulator: LCP
- 2.Terminal: Pho.Bronze,3u Plated

2.Electrical specifications:

- Voltage Current rating: 2.0A, 12V
- Dielectric Withstanding Voltage: 500V
- Contact Resistance: 30m Ω MAX
- Insulation Resistance: 500Mohm
- Temperteure Rating: -40°C to +85°C

PART NO:



PART NO.	DIM A	DIM B	DIM C
2BT03-03-53-RS	7.50	4.0	2.0
2BT04-03-53-RS	9.50	6.0	4.0
2BT05-03-53-RS	11.5	8.0	6.0
2BT06-03-53-RS	13.5	10.0	8.0

Singatron Enterprise Co., Ltd.

TITLE	Battery Connector		
DWN	Hanson Huang	PART NO.	2BTXX-03-53-RS
CHKD	2022/06/14	SCALE	1:1 UNIT: mm
APVD	Richard Hsieh	SIZE: A3	SHEET: 1 OF 1 REV: A0

CUSTOMER COPY

TOLERANCE:	
X.X	±0.38
X.XX	±0.20
X.XXX	±0.10
ANGLE:	±3°