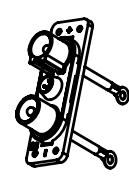
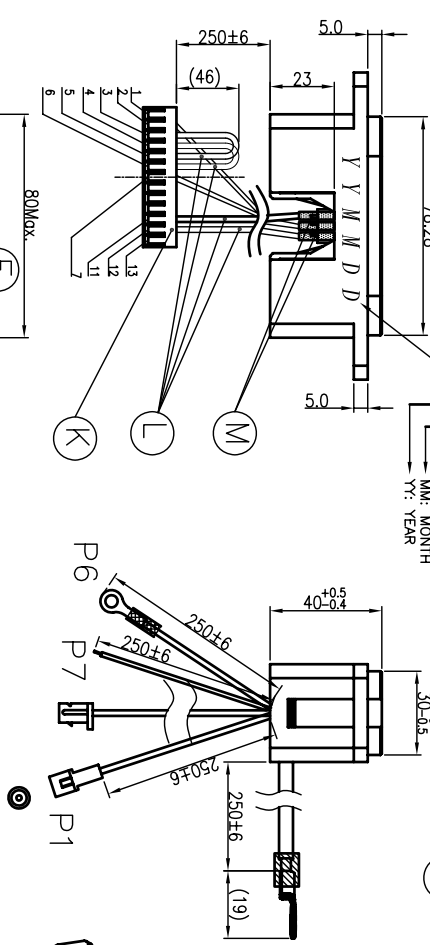


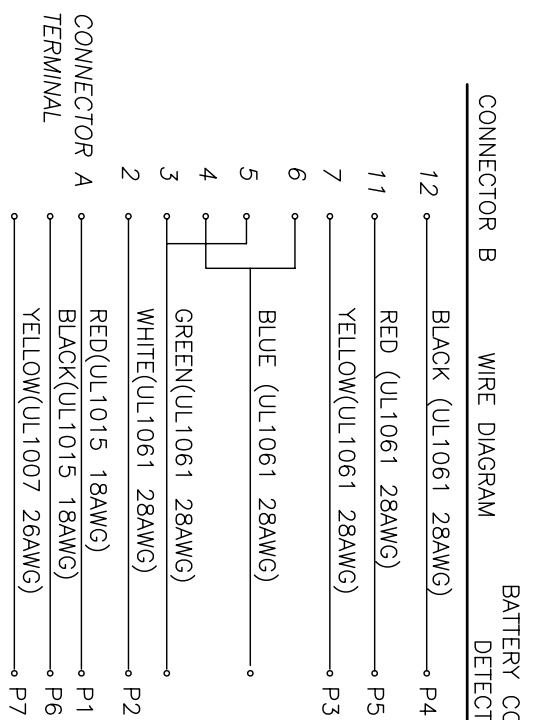
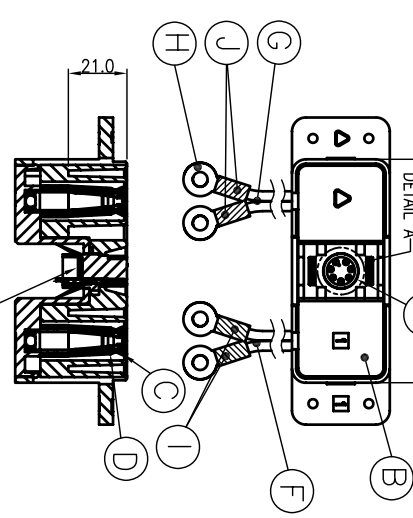
DATE CODE  
 Y M M M D D  
 DD: DAY  
 MM: MONTH  
 YY: YEAR



MATING PART  
 P/N : 2BA101T SERIES

**SPECIFICATIONS:**

1. ELECTRICAL CHARACTERISTICS:
  - 1-1. RATING: 60V DC 60A
  - 1-2. CONTACT RESISTANCE: 80mΩ MAX.(PIN+/- WITH WIRE INITIAL PRE PIN)
  - 1-3. CONTACT RESISTANCE: 100mΩ MAX.(SIGNAL PIN+WIRE INITIAL PRE PIN)
2. MECHANICAL CHARACTERISTICS:
  - 2-1. INSERTION FORCE : 10.0KGF Max.(INITIAL)
  - 2-2. WITHDRAWAL FORCE : 10.0KGF Max.(INITIAL)
3. LIFE TEST: 5,000 CYCLES MIN.
4. OTHER GENERAL SPEC. TO REFER "2BW1010-004210H SPEC".
5. TO CONFORM TO SINGATRON HAZARDOUS SUBSTANCE FREE SPEC.
6. GREEN PRODUCT IDENTIFICATION MARK ON JACK
7. PRODUCT IDENTIFICATION LABEL ON PACKAGING: **ROHS**
8. PACKAGING: BAG



|    |                  |   |                                   |                  |
|----|------------------|---|-----------------------------------|------------------|
| N  | GASKET           | 1 | SILICON                           | BLACK            |
| M  | HEAT SHRINK TUBE | 4 | φ3 L=15.0                         | BLACK            |
| L  | WIRE             | 6 | SEE WIRE DIAGRAM                  | SEE WIRE DIAGRAM |
| K  | CONNECTOR B      | 8 | TERRAPHOSPHOR BRONZE              | TIN-PLATED       |
| J  | HEAT SHRINK TUBE | 1 | HSG:NYLON UL94V-0                 | WHITE COLOR      |
| I  | HEAT SHRINK TUBE | 2 | φ6.0 L=25.0                       | RED COLOR        |
| H  | R-TERMINAL       | 4 | OD 8.5 ID 5.3 T=1.1               | BLACK COLOR      |
| G  | WIRE             | 2 | UL1015 #12                        | TIN PLATING      |
| F  | WIRE             | 2 | UL1015 #12                        | RED COLOR        |
| E  | 7 PIN CONNECTOR  | 2 | COPPER ALLOY                      | BLACK COLOR      |
| D  | SPRING           | 1 | SUS304 0.5t                       | GOLD PLATING     |
| C  | TERMINAL         | 2 | COPPER ALLOY 0.8t                 | N/A              |
| B  | COVER            | 2 | COPPER ALLOY 0.8t                 | SILVER PLATING   |
| A  | HOUSING          | 1 | HIGH TEMP. THERMOPLASTIC UL 94V-0 | BLACK COLOR      |
| NO | DESCRIPTION      | 1 | HIGH TEMP. THERMOPLASTIC          | BLACK COLOR      |

|                                       |     |          |                 |
|---------------------------------------|-----|----------|-----------------|
| UNLESS OTHERWISE SPECIFIED TOLERANCES | QTY | MATERIAL | PLATING & COLOR |
| DECIMALS: ANGLES:                     |     |          |                 |
| X : ±0.5 X : ±.2                      |     |          |                 |
| X.X : ±0.3 X.X : ±.1                  |     |          |                 |
| X.XX : ±0.2                           |     |          |                 |

Singatron Enterprise Co., Ltd.  
 信營企業股份有限公司

TITLE BATTERY CONNECTOR+WIRE  
 DWN JASON 2012/7/10 PART NO. 2BW1010-004210H  
 CHKD SCALE 1:1 UNIT: mm  
 APVD ANEBA 2012/7/10 SIZE: A3 SHEET: 1 OF 1 REV: A

CUSTOMER COPY