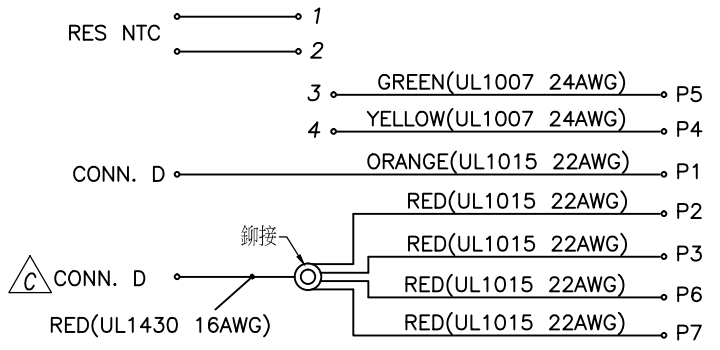


SPECIFICATIONS:

- ELECTRICAL CHARACTERISTICS:**
 - RATING: 60V DC 60A
 - CONTACT RESISTANCE: 8mΩ MAX.(PIN+/- WITH WIRE INITIAL PER PIN)
 - CONTACT RESISTANCE: 100mΩ MAX.(SIGNAL PIN+WIRE INITIAL PER PIN)
- MECHANICAL CHARACTERISTICS:**
 - INSERTION FORCE : 10KGF Max.(INITIAL)
 - WITHDRAWAL FORCE :10KGF Max.(INITIAL)
- LIFE TEST: 5,000 CYCLES MIN.**
- OTHER GENERAL SPEC. TO REFER "2BW1010-V09210H SPEC".**
- TO CONFORM TO SINGATRON HAZARDOUS SUBSTANCE FREE SPEC.**
- GREEN PRODUCT IDENTIFICATION MARK ON JACK:**
- PRODUCT IDENTIFICATION LABEL ON PACKAGING:**
- PACKAGING: BAG**

REV.	ECN NO OR DESCRIPTION	REVISED	DATE
B	ECN NO. T150002	Duke	2015.02.03
C	ECN NO. T160008	Duke	2016.10.03

CONN. B WIRE DIAGRAM 7PIN CONN. DETECT PIN



R	HEAT SHRINK TUBE	1	∅7 L=40	BLACK COLOR
Q	HEAT SHRINK TUBE	1	∅4 L=160	BLACK COLOR
P	HEAT SHRINK TUBE	2	∅10 L=30	RED/BLACK COLOR
O	CONNECTOR D (威力盛 P1-A00103)	2	TER:A00103BS HSG:P1-A00103	WHITE COLOR
N	GASKET	1	SILICON	BLACK
M	HEAT SHRINK TUBE	4	∅3 L=15	BLACK
L	WIRE		SEE WIRE DIAGRAM	SEE WIRE DIAGRAM
K	CONNECTOR B (威力盛 P4-120001)	4	TER:120001PS-2 HSG:NYLON UL94V-0, 4P	TIN-PLATED WHITE COLOR
J	TUBE	4	∅8 L=15	YELLOW
I	RES NTC (統達 8RNT00050T32)	1	SS133-10JF34FL30034/10K/300mm	UL2561/26AWG/BLACK(TAYAO)
H	R-TERMINAL (健和興RVBS5-4)	4	COPPER	TIN PLATING
G	WIRE	2	UL1015 10AWG	RED COLOR
F	WIRE	2	UL1015 10AWG	BLACK COLOR
E	7 PIN CONNECTOR	1	COPPER ALLOY	GOLD PLATING
D	SPRING	2	SUS304 0.5t	N/A
C	TERMINAL	2	COPPER ALLOY 0.8t	SILVER PLATING
B	COVER	1	HIGH TEMP. THERMOPLASTIC UL94V-0	BLACK COLOR
A	HOUSING	1	HIGH TEMP. THERMOPLASTIC UL94V-0	BLACK COLOR
NO	DESCRIPTION	QTY	MATERIAL	PLATING & COLOR

UNLESS OTHERWISE SPECIFIED TOLERANCES

Singatron Enterprise Co., Ltd.
信音企業股份有限公司

DECIMALS:	ANGLES:	TITLE	BATTERY CONNECTOR+WIRE		
X :±0.5	X :±2°	DWN Duke	PART NO.2BW1010-V09210H		
X.X :±0.3	X.X :±1°	CHKD	SCALE 1:2	UNIT: mm	
X.XX :±0.2		APVD ACHENG	SIZE: A3	SHEET:1 OF 1	REV:C

CUSTOMER COPY