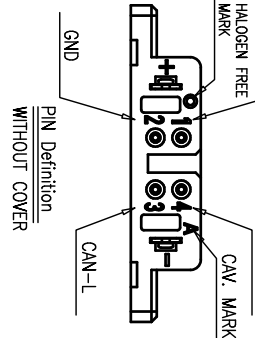
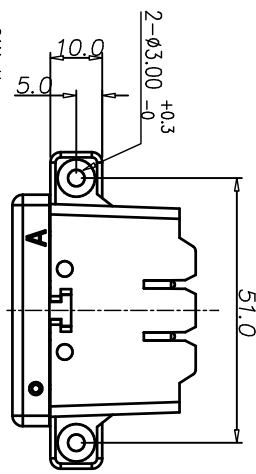
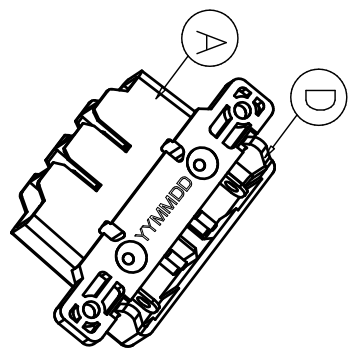
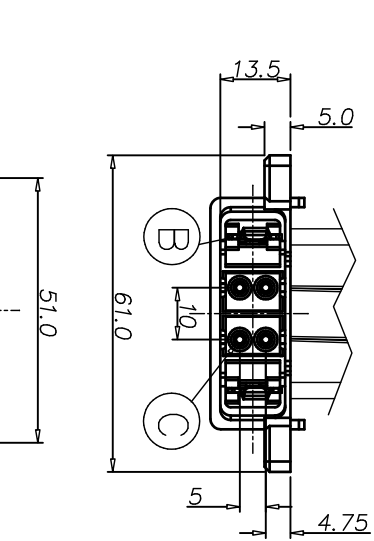
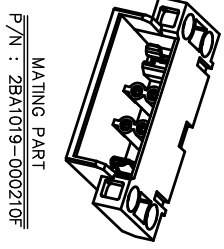
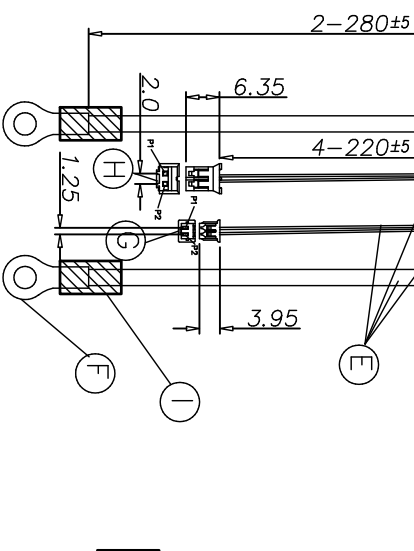


REV.	ECN NO.	OR DESCRIPTION	REVISED	DATE
A	PDR	RELEASE	Even	2012.10.04



before soldering, use waterproof glue on terminal after soldering, use uv glue on terminal



- SPECIFICATIONS:**
- ELECTRICAL CHARACTERISTICS:
 - RATING: 30V DC 30A
 - CONTACT RESISTANCE: 80mΩ MAX.(PIN+/- WITH WIRE INITIAL PRE PIN)
 - CONTACT RESISTANCE: 70mΩ MAX.(SIGNAL PIN+WIRE INITIAL PRE PIN)
 - MECHANICAL CHARACTERISTICS:
 - INSERTION FORCE : 5.0⁺²~3.6GF (INITIAL)
 - WITHDRAWAL FORCE : 5.0⁺²~3.6GF (INITIAL)
 - LIFE TEST: 3,000 CYCLES MIN.
 - OTHER GENERAL SPEC. TO REFER "2BW1018-000210H SPEC".
 - TO CONFORM TO SINGATRON HAZARDOUS SUBSTANCE FREE SPEC.
 - HALOGEN FREE PRODUCT IDENTIFICATION LABEL ON PACKAGING: **RoHS**
 - PACKAGING: BAG

BATTERY CONNECTOR WIRE DIAGRAM CONNECTOR-A CONNECTOR-B

- SPRING(+) RED (UL1015 14AWG) 280mm
- SPRING(-) BLACK (UL1015 14AWG) 280mm
- SIGNAL 1(12V) BROWN (UL1007 22AWG) 220mm
- SIGNAL 2(GND) YELLOW (UL1007 22AWG) 220mm
- SIGNAL 3(CAN-L) WHITE (UL1061 28AWG) 220mm
- SIGNAL 4(CAN-H) GREEN (UL1061 28AWG) 220mm

ITEM	DESCRIPTION	QTY	UNIT	REMARKS
I	HEAT SHRINK TUBE	2	L=20mm	BLACK COLOR
H	CONNECTOR-B	1	HOUSING : Nylon 66	WHITE COLOR
		1	TERMINAL:PHOSPHOR BRONZE	TIN PLATING
G	CONNECTOR-A	1	HOUSING : Nylon 66	WHITE COLOR
		1	TERMINAL:PHOSPHOR BRONZE	TIN PLATING
F	TERMINAL	2	OD 7.5 ID 4.3 ; t=0.5	TIN PLATING
		2	UL1061 28AWG	
E	WIRE	2	UL1007 22AWG	SEE WIRE DIAGRAM
		2	UL1015 14AWG	
D	BACK COVER	1	THERMOPLASTIC	BLACK COLOR
C	SIGNAL	4	BRASS	SILVER PLATING
B	SPRING	2	COPPER ALLOY 0.8t	SILVER PLATING
A	HOUSING	1	THERMOPLASTIC	BLACK COLOR
NO	DESCRIPTION	QTY	MATERIAL	PLATING & COLOR

UNLESS OTHERWISE SPECIFIED TOLERANCES

DECIMALS: ANGLES:

X :±0.5 X :±2°

X.X :±0.3 X.X :±1°

X.XX :±0.2

Singatron Enterprise Co., Ltd.
信譽企業股份有限公司

TITLE BATTERY CONNECTOR

DWN	REV 2012.04	PART NO. 2BW1018-000210H
CHKD	SCALE 1/1	UNIT: mm
APVD	ANGELA 2012.10.04	SIZE: A3 SHEET: 1 OF 1 REV: A

CUSTOMER COPY