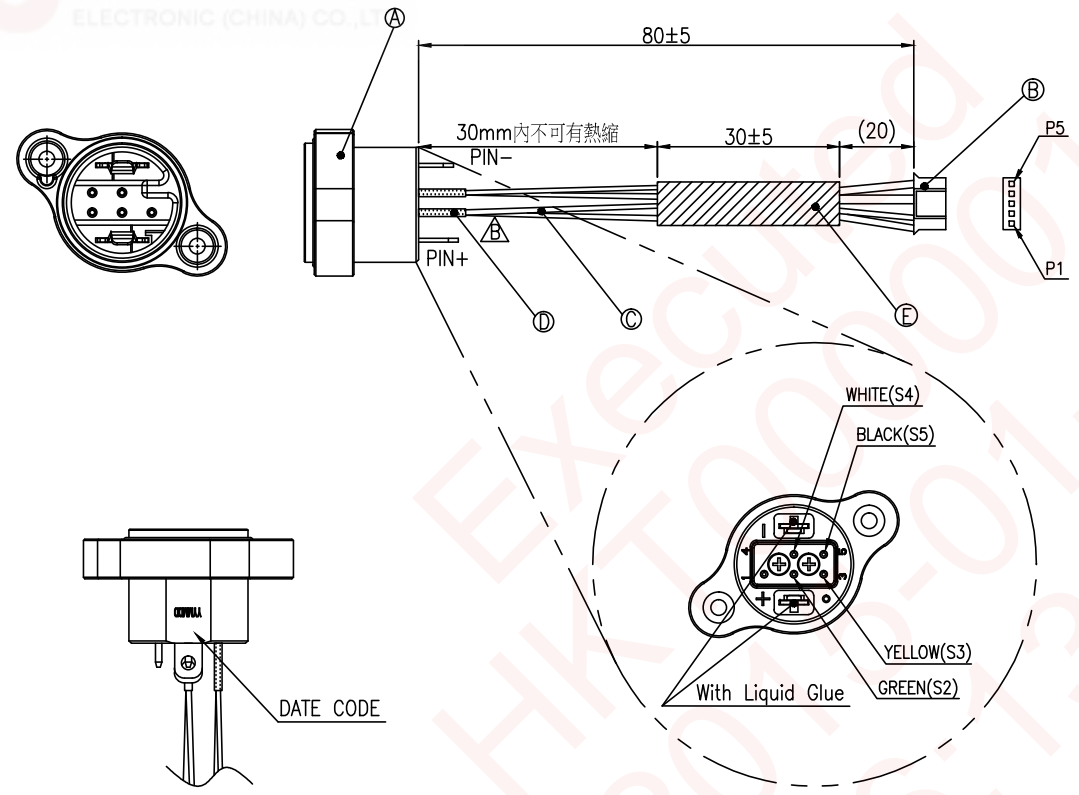
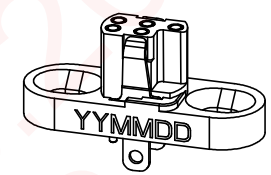


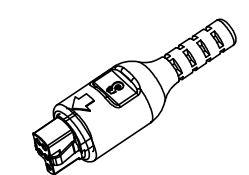
REV.	ECN NO OR DESCRIPTION	REVISED	DATE
A	PDR RELEASE	Acheng	2014.07.09
B	ECN NO.T140033	Duke	2015.01.20



- SPECIFICATIONS:**
- ELECTRICAL CHARACTERISTICS:**
    - 1-1. RATING: 55V DC 30A (PIN+/PIN-)
    - 1-2. CONTACT RESISTANCE: 5.0mΩ MAX.(PIN+/PIN- W/WIRE INITIAL PRE PIN)
    - 1-3. CONTACT RESISTANCE: 60mΩ MAX.(SIGNAL PIN W/WIRE INITIAL PRE PIN)
  - MECHANICAL CHARACTERISTICS:**
    - 2-1. INSERTION FORCE : 3.0 ± 2KGF (INITIAL)
    - 2-2. WITHDRAWAL FORCE :3.0 ± 2KGF (INITIAL)
  - LIFE TEST:** 5,000 CYCLES MIN.
  - OTHER GENERAL SPEC.** TO REFER "2BW1030-V00210H SPEC".
  - TO CONFORM TO SINGATRON HAZARDOUS SUBSTANCE FREE SPEC.**
  - GREEN PRODUCT IDENTIFICATION MARK ON JACK:**
  - PRODUCT IDENTIFICATION LABEL ON PACKAGING:**
  - PACKAGING:** BAG

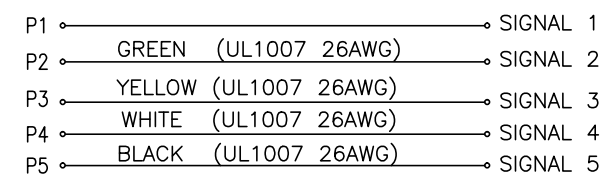


MATING PART  
P/N:2BA1029 SERIES



MATING PART  
P/N:2CT1001 SERIES

CONNECTOR(A)      WIRE DIAGRAM      BATTERY CONNECTOR



E	TERHEAT SHRINK TUBE	1	ø5.0*L30	BLACK
D	TERHEAT SHRINK TUBE	4	ø2.4*L15 含膠	BLACK
C	WIRE	4	SEE WIRE DIAGRAM	N/A
B	CONNECTOR A	1	HOUSING(P5-I20001_5PIN)	WHITE
		5	TERMINAL(I20001PS-2)	SILVER PLATING
A	BATTERY CONNECTOR	1	2BA1030-V00210F	N/A
NO	DESCRIPTION	QTY	MATERIAL	PLATING & COLOR
UNLESS OTHERWISE SPECIFIED TOLERANCES			Singatron Enterprise Co., Ltd. 信音企業股份有限公司	
DECIMALS:		TITLE: BATTERY CONNECTOR+WIRE		
ANGLES:		DWN Duke PART NO.2BW1030-V00210H		
X	:±0.5	X	:±2°	SCALE 1:1 UNIT: mm
X.X	:±0.3	X.X	:±1°	SIZE: A3 SHEET:1 OF 1 REV: B
X.XX	:±0.2	CUSTOMER COPY		

文件編號:RD-06-043-A

專務經理	高鎮尊
AE Team (HKT)	產品技術部 (HKT)
呂建威	范義秀琴
2015/01/21 14:43:51	2015/01/21 14:45:43