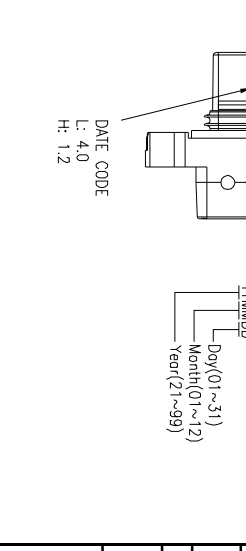


6	BROWN(UL3385 24AWG)
5	BLACK(UL3385 14AWG)
4	N/A
3	RED(UL3385 20AWG )
2	YELLOW(UL3385 24AWG)
1	RED(UL3385 14AWG)
CONN.1 WIRE SPEC.	
PIN DEFINE	



WIRE	COLOUR	TINNED OD Max.	TINNED LENGTH
UL3385 14AWG	RED&BLACK	2.20	2.80±0.5
UL3385 20AWG	RED	1.25	2.80±0.5
UL3385 24AWG	YELLOW&BROWN	0.90	2.60±0.5

**SPECIFICATIONS:**

- ELECTRICAL CHARACTERISTICS:**
  - RATING:DC45V,25A
  - CONTACT RESISTANCE: 20mΩ Max/(FOR CONNECTOR)
  - DIELECTRIC WITHSTANDING VOLTAGE: 500V AC FOR ONE MINUTE.
  - INSULATION RESISTANCE: 50M Ω Min. MEASURED BY 500 VDC
- MECHANICAL CHARACTERISTICS:**
  - INSERTION/WITHDRAWAL FORCE : 6N~60N
  - Max.420 FOR CHARGING BY 6.3A  
Max.240 FOR DISCHARGING BY 20A
  - LIFE TEST: 5500 CYCLES Min.
  - TO CONFORM TO SINGAITRON HAZARDOUS SUBSTANCE FREE SPEC.
  - HALOGEN FREE PRODUCT IDENTIFICATION LOGO ON PACKAGING:
  - NO RED PHOSPHORUS USED IN PLASTIC MATERIALS



Pin Assignments  
Front View

1	2	3	4	5	6
---	---	---	---	---	---

NO	DESCRIPTION	QTY	MATERIAL	PLATING & COLOR
A	HOUSING	1	PBT+15%GF 長番5615-104	BLACK
B	TERMINAL	6	C7025-TM02 0.5T	可焊 Ni:100u" MIN.
C	COVER 1	1	PBT+15%GF 長番5615-104	BLACK
D	COVER 2	1	PBT+15%GF 長番5615-104	BLACK
E	GLUE	1	JA9404	BLACK
F	WIRE	2	UL3385 14AWG	RED&BLACK
G	WIRE	1	UL3385 20AWG	RED
H	WIRE	2	UL3385 24AWG	BLACK
I	GASKET-OUTER	1	SILICONE 50°	BLACK

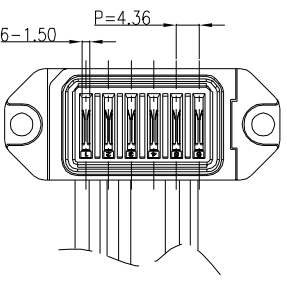
DECIMALS:	ANGLES:
X :±0.5	X :±2°
X.X :±0.3	X.X :±1°
X.XX :±0.2	

Suzhou Singatron Auto Electronics CO.,LTD.  
 蘇州新格特汽車電子有限公司

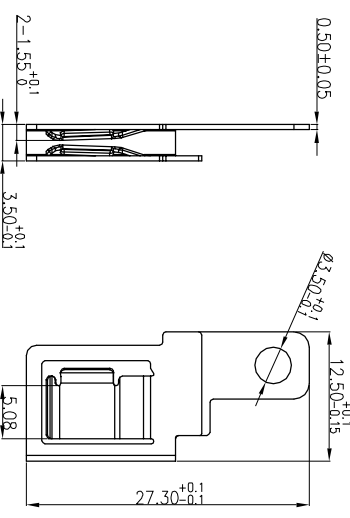
TITLE: FEMALE BATTERY CONN  
 DWG NO: 2BW3020-W06R01F  
 CHKD: JF  
 SCALE: 1:1  
 UNIT: mm  
 SHEET: 1 OF 2  
 REV: A

CUSTOMER COPY

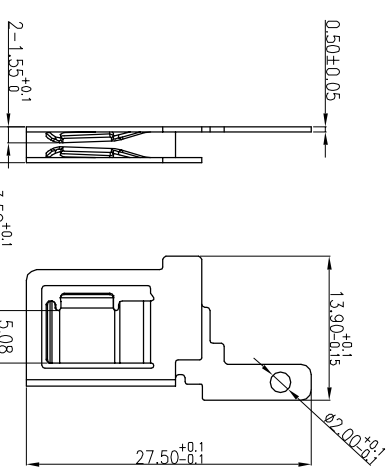
REV	ECN NO OR DESCRIPTION	REVISED	DATE
A	PDR NO.:A200409-1A	Jun	2022.12.15



FEMALE CONN  
SCALE 1/1



3-POWER PIN  
SCALE 2/1



3-SIGNAL PIN  
SCALE 2/1

For Reference Only

NO	DESCRIPTION	QTY	MATERIAL	PLATING & COLOR
	UNLESS OTHERWISE SPECIFIED TOLERANCES			
	DECIMALS:			
X	:±0.5	X	:±2°	
X.X	:±0.3	X.X	:±1°	
X.XX	:±0.2			
	TITLE		FEMALE BATTERY CONN	
DWN	Jun		PART NO. 2BW3020-W06R01P	
CHKD	JF		SCALE:1:1	UNIT: mm
APVD	Steve		SIZE: A3	SHEET:2 OF 2
			REV: A	

CUSTOMER COPY

Suzhou Singatron Auto Electronics CO.,LTD.  
 苏州信合汽车电子有限公司