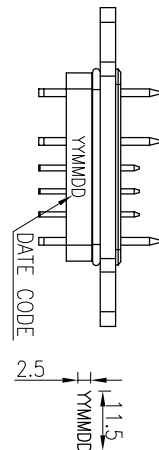
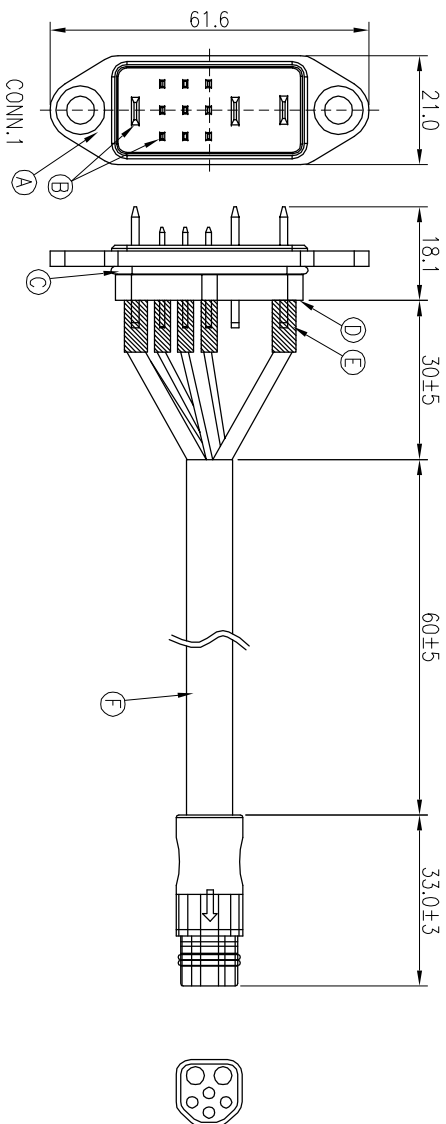
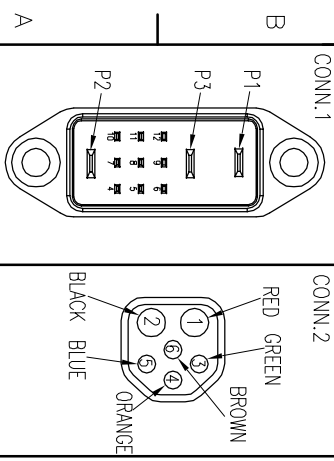


REV.	ECN NO.	OR DESCRIPTION	REVISED	DATE
A	PDR NO.:1211227-3A		Jun	2023.02.01



12	
11	
10	
9	
8	BLUE
7	
6	ORANGE
5	GREEN
4	
3	
2	BLACK&BRWN
1	RED
CONN.1	WIRE COLOR
CONN.1	PIN DEFINITION
CONN.1	
CONN.2	



- NOTES:
1. WATERPROOF DEGREE OF PROTECTION: IPX7
  2. CURRENT RATING: POWER TERMINAL: 20A  
SIGNAL TERMINAL: 2A
  3. OPERATING TEMPERATURE: -40°C~85°C
  4. CONTACT RESISTANCE: POWER TERMINAL≤5mΩ (FOR CONN.1)  
SIGNAL TERMINAL≤30mΩ (FOR CONN.1)
  5. SALT: 72HR
  6. CYCLE LIFE: 3,000
  7. CONFORM TO SINGATRON HAZARDOUS SUBSTANCE FREE SPEC.
  8. GREEN PRODUCT IDENTIFICATION LABEL ON PACKAGING:
  9. LASE DATE CODE "YYMMDD" ON TOP OF OVER MOLD

DATE CODE: YYMMDD



F	HIGO CONN	1	HG-F-B-Z610母端 客供	BLACK
E	HEAT SHRINK TUBE	2	125° 600V	BLACK
D	GLUE	3	φ1.6金膠套	BLACK
C	O-RING	1	N/A	BLACK
B	MALE PIN	9	BRASS	100 μin Min. Solderable Nickel plating Ni10
A	BODY	1	PA66+GF	BLACK
NO	DESCRIPTION	QTY	MATERIAL	PLATING & COLOR
UNLESS OTHERWISE SPECIFIED TOLERANCES				
Suzhou Singatron Auto Electronics CO.,LTD. 蘇州信營汽車電子有限公司				
DECIMALS:		ANGLES:		
X	:±0.5	X	:±2°	
X.X	:±0.3	X.X	:±1°	
X.XX	:±0.2			
TITLE MALE CONN. MALE (3+9)PIN				
DWN	Jun	PART NO. 2BW3021-W12R04H		
CHKD	JF	SCALE 2:1	UNIT: mm	
APVD	Steve	SIZE: A3	SHEET: 1 OF 1	REV: A

Front View  
Pin Assignments

1 2 3 4 5 6 7 8