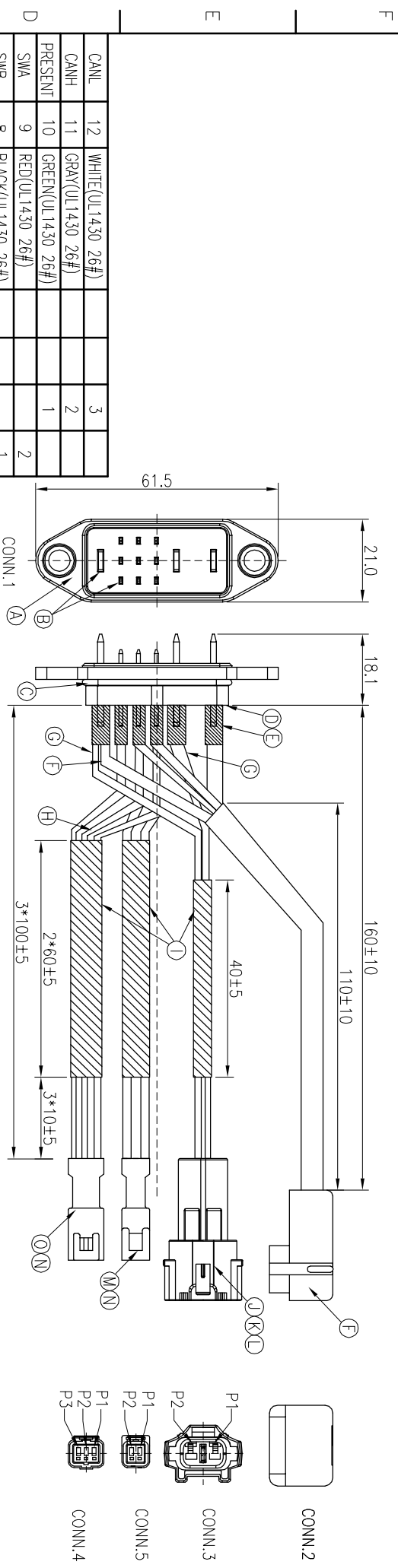
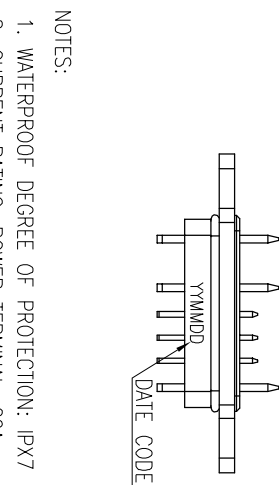


REV	ECN NO	OR	DESCRIPTION	REVISED	DATE
A	PDR NO.:T220411-4A			JY	2023.07.19



SIGNAL	CONN.1	WIRE COLOR(GAUGE)	CONN.2	CONN.3	CONN.4	CONN.5
CANL	12	WHITE(UL1430 26#)				3
CANH	11	GRAY(UL1430 26#)				2
PRESENT	10	GREEN(UL1430 26#)				1
SWA	9	RED(UL1430 26#)				2
SWB	8	BLACK(UL1430 26#)				1
ID2	7					
TX	6	ORANGE(UL10368 26#)				3
RX	5	PURPLE(UL10368 26#)				4
ID1	4					
C+	3					
P-	2	BLACK(UL3266 14#)				2
P+	1	RED(UL3266 14#)				1
SIGNAL		RED(UL1015 14#)				1

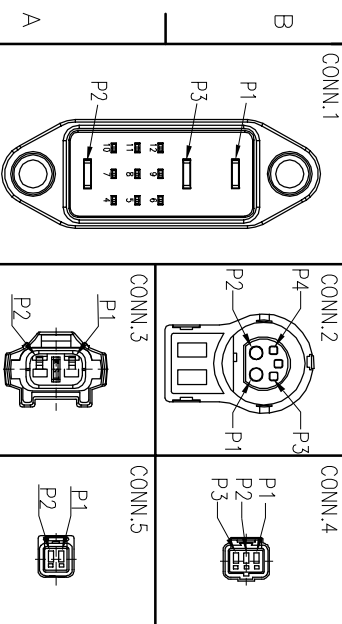


NOTES:

1. WATERPROOF DEGREE OF PROTECTION: IPX7
2. CURRENT RATING: POWER TERMINAL: 20A
FCI CABLE: 25A
SIGNAL TERMINAL: 2A
3. OPERATING TEMPERATURE: -20°C~60°C
4. CONTACT RESISTANCE: POWER TERMINAL≤5mΩ (FOR CONN.1)
SIGNAL TERMINAL≤30mΩ (FOR CONN.1)
5. SALT: 72Hr
6. CYCLE LIFE: 3,000
7. CONFORM TO SINGATRON HAZARDOUS SUBSTANCE FREE SPEC.
8. GREEN PRODUCT IDENTIFICATION LABEL ON PACKAGING: **GREEN**
9. LASE DATE CODE "YYMMDD" ON TOP OF OVER MOLD



Pin Assignments



QTY	MATERIAL	PLATING & COLOR
1	PA66+GF	BLACK
9	723A/B	BLACK
1	SILICONE	BLACK
9	BRASS	100 μin Min. Solderable Nickel plating Ni10
1	PA66+GF	BLACK

NO	DESCRIPTION	QTY	MATERIAL	PLATING & COLOR
A	BODY	1	PA66+GF	BLACK
B	MALE PIN	9	BRASS	100 μin Min. Solderable Nickel plating Ni10
C	O-RING	1	SILICONE	BLACK
D	GLUE	1	723A/B	BLACK
E	HEAT SHRINK TUBE	9	全膠	BLACK
F	CONN.2+4+CABLE	1	FCI	N/A
G	WIRE	2	UL3266 14AWG	SEE PIN DEFINITION
H	HEAT SHRINK TUBE	3	125* 300V	BLACK
I	WIRE	5	UL1430 26AWG	SEE PIN DEFINITION
J	HOUSING	1	KST 3102A0144	WHITE
K	TERMINAL	2	KST 1101A0007	Tin-plated
L	SEAL	2	KST 7001A0092	BLACK
M	HOUSING	1	HongRu M20033-1X2-W	NATURE
N	TERMINAL	5	HongRu T20033PS-2	Tin-plated
O	HOUSING	1	HongRu M20033-1X3-W	NATURE

DECIMALS:	ANGLES:
X :±0.5	X :±2°
X.X :±0.3	X.X :±1°
X.XX :±0.2	