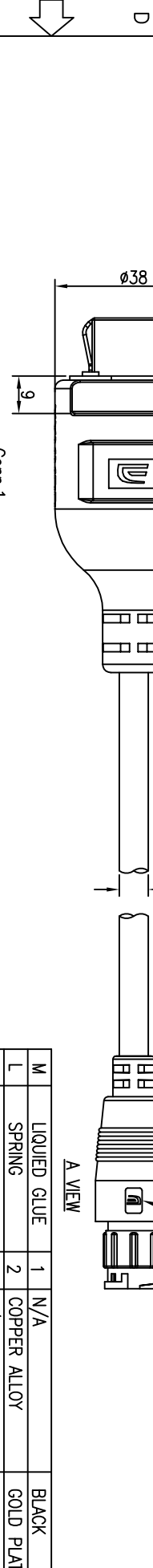
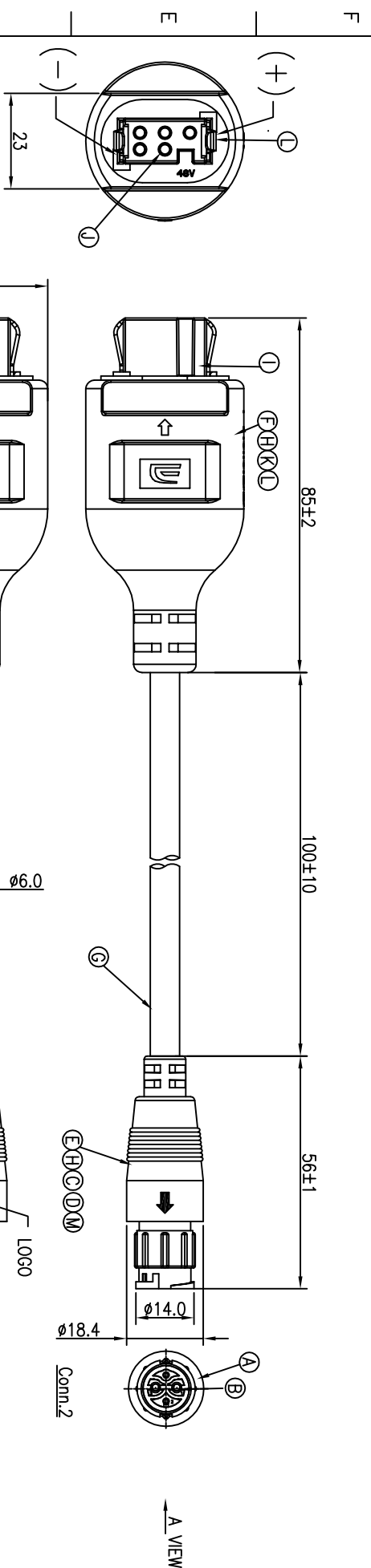
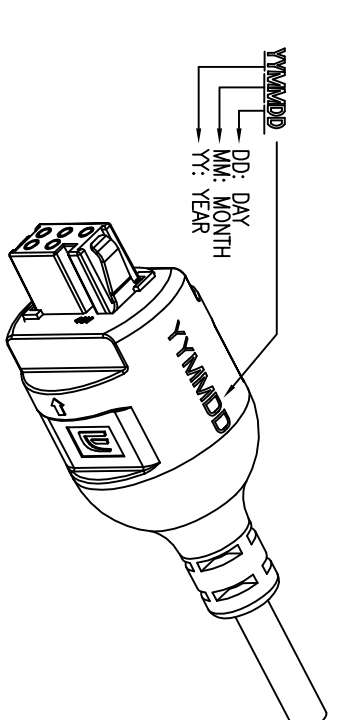
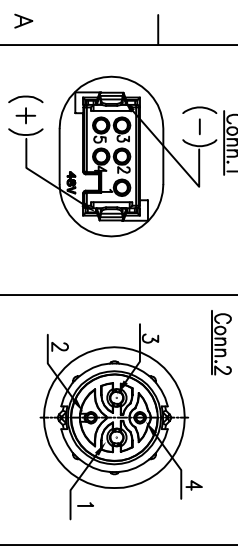


REV.	ECN NO OR DESCRIPTION	REVISED	DATE
A	PDR NO: T160503-134	Yang	2016/11/03



PIN 3	RED (18AWG)	3
PIN(-)	BLACK(18AWG)	1
Conn.1	WIRE COLOR	Conn.2
PIN OUT		
Conn.1		Conn.2



NOTES:

- CURRENT RATING: 5+10A
- SPECIFICATIONS:SEE "CIRCULAR SERIES SPECIFICATIONS".
- TO CONFORM TO SINGATRON HAZARDOUS SUBSTANCE FREE SPEC.
- GREEN PRODUCT IDENTIFICATION LABEL ON PACKAGING: [EPA 7545]

M	LIQUID GLUE	1	N/A	BLACK
L	SPRING	2	COPPER ALLOY	GOLD PLATING
K	UV GLUE	1	N/A	WHITE
J	SIGNAL	1	BRASS	SILVER PLATING
I	HOUSING	1	PA66+30%GF	BLACK
H	OVER MOLD	2	PVC	BLACK
G	CABLE	1	UL2464 18#*2C+AL	BLACK (PVC JACKET)
F	INNER MOLD	1	PVC	NATURAL
E	INNER MOLD	1	TPU	NATURAL
D	LIQUID GLUE	1	N/A	BLACK
C	TUBE	4	125°C 300V	BLACK
B	FEMALE PIN	4	PHOSPHOR BRONZE	GOLD PLATING OVER NICKEL PLATING
A	BODY	1	PA66+GF	BLACK

UNLESS OTHERWISE SPECIFIED TOLERANCES

DECIMALS:	ANGLES:
X :±0.5	X :±2'
X.X :±0.3	X.X :±1'
X.XX :±0.2	

TITLE	CIRCULAR STANDARD SIZE
M CONN. F PIN 2+2PIN(5+10A) LOCK TYPE	
DMN	Yang
CHKD	Harten
APVD	Steve
PART NO.	2BW3029-W07R03H
SCALE	1:1
UNIT	mm
SIZE	A3
SHEET	1 OF 1
REV	A

Singatron Enterprise Co., Ltd.
信登企業股份有限公司