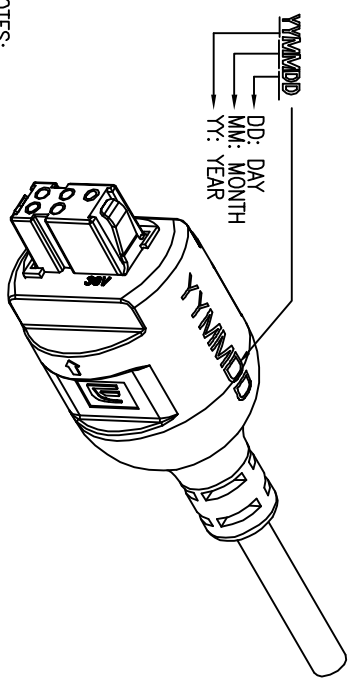
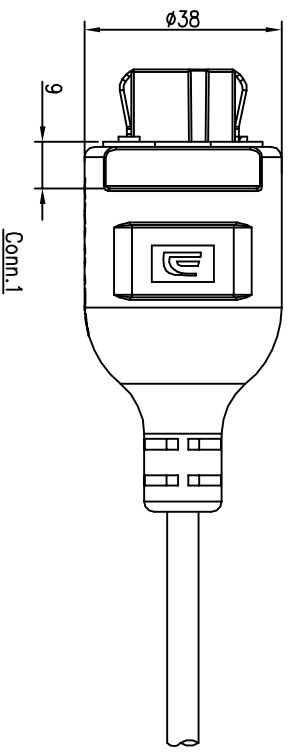
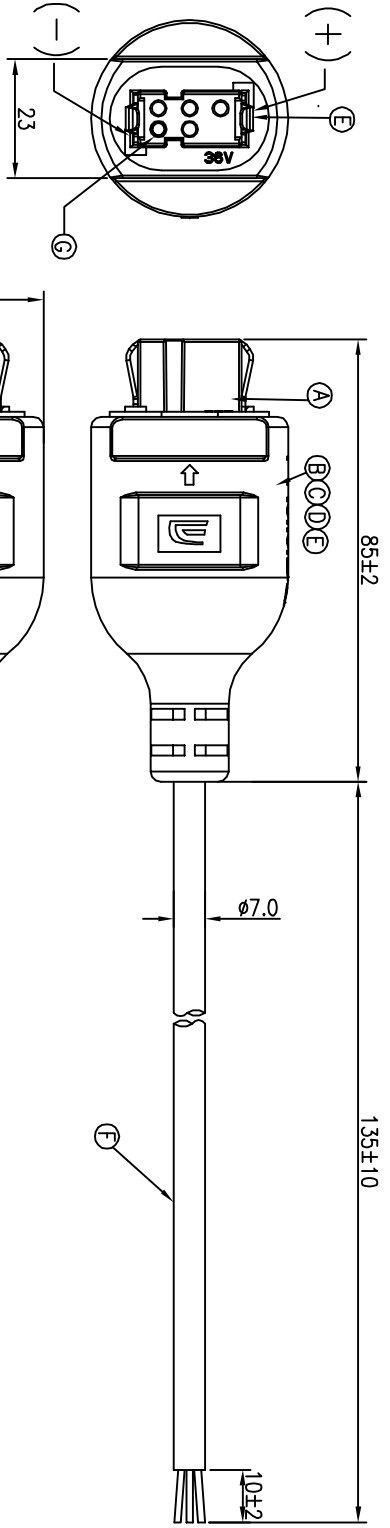
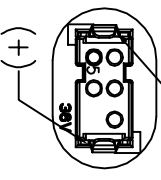


REV.	ECN NO	OR DESCRIPTION	REVISED	DATE
A	PDR NO.:T190411-6A		Jun	2019.05.29



5	WHITE(24AWG)
PIN(-)	BLACK(16AWG)
PIN(+)	RED(16AWG)
CONN.1	WIRE COLOR
PIN OUT	
CONN.1	



Pin Assignments
Front View

- NOTES:
- CURRENT RATING: 5+10A
 - MECHANICAL CHARACTERISTICS:
2-1. INSERTION FORCE : 1.5kg MIN.(BA CONNECTOR)
2-2. WITHDRAWAL FORCE : 1.7kg MIN.(BA CONNECTOR)
 - SPECIFICATIONS:SEE "CIRCULAR SERIES SPECIFICATIONS".
 - TO CONFORM TO SINGATRON HAZARDOUS SUBSTANCE FREE SPEC.
 - GREEN PRODUCT IDENTIFICATION LABEL ON PACKAGING:

G	SIGNAL	1	BRASS	SILVER PLATING
F	CABLE	1	UL2464 (24#*2C+AL)+ 16#*2C+AL (UV)	BLACK (PVC JACKET)
E	SPRING	2	COPPER ALLOY	GOLD PLATING
D	UV GLUE	1	N/A	NATURE
C	OVER MOLD	1	PVC	BLACK
B	INNER MOLD	1	PP	BLACK
A	BODY	1	PA66+GF	BLACK
NO	DESCRIPTION	QTY	MATERIAL	PLATING & COLOR

UNLESS OTHERWISE SPECIFIED TOLERANCES

DECIMALS:	ANGLES:
X :±0.5	X :±2°
X.X :±0.3	X.X :±1°
X.XX :±0.2	

Singatron Enterprise Co., Ltd. 信亨企業股份有限公司	
TITLE	CIRCULAR STANDARD SIZE
DWN	Jun
CHKD	Cery
APVD	William
PART NO. 2BW3029-W07R08H	
SCALE	1:1
UNIT	mm
SHEET	1 OF 1
REV	A

CUSTOMER COPY