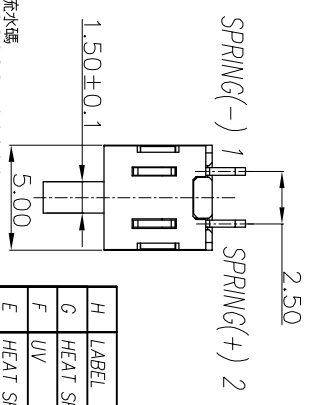
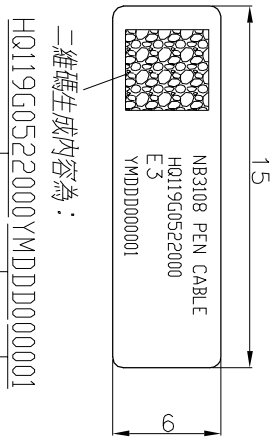
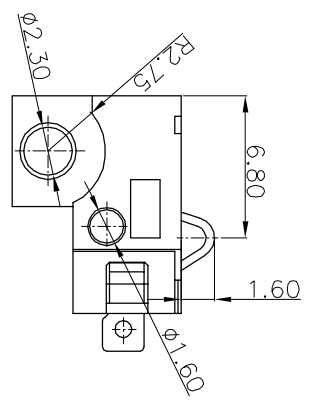
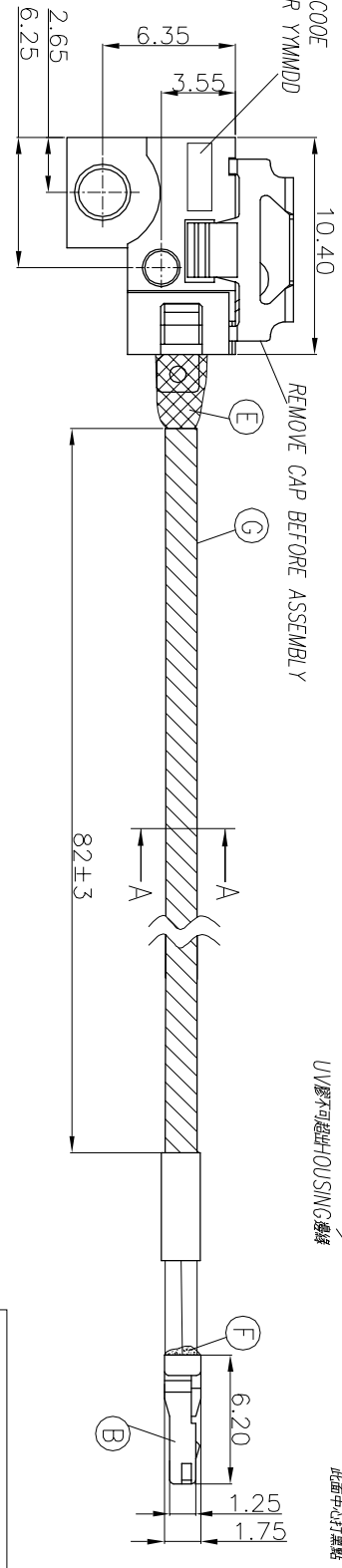
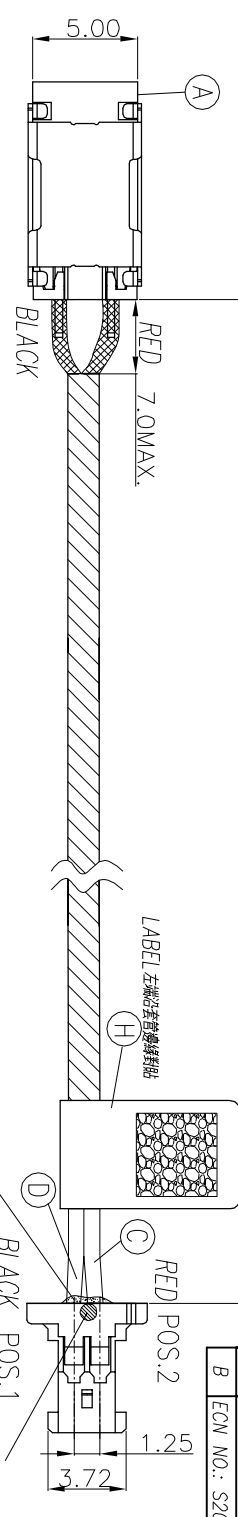


REV	E/CN NO	OR DESCRIPTION	REVISED	DATE
A	PDR NO.:	S201030-11A	Kesheng	2021.09.02
B	E/CN NO.:	S202211-R16 /B	Kesheng	2023.03.13



WIRE TO BOARD CONNECTOR	WIRE	BATTERY
POS. 1	BLACK (UL10064 28AWG)	SPRING(-) 1
POS. 2	RED (UL10064 28AWG)	SPRING (+) 2

- SPECIFICATIONS:**
- BATTERY AND WIRE SPEC:
    - RATING: 1A;
    - DIELECTRIC WITHSTANDING VOLTAGE: 500V AC FOR ONE MINUTE;
    - CONTACT RESISTANCE: 50mΩ MAX. (ONLY FOR BATTERY)
    - NORMAL FORCE 80gf (FOR WORKING TRAVEL 0.65mm)
    - LIFT TEST: 5000 CYCLES MIN.

- OTHER GENERAL SPEC. REFER TO "2BW3075-001111F SPEC."**
- TO CONFORM TO SINGATRON HAZARDOUS SUBSTANCE FREE SPEC.
  - HALOGEN FREE PRODUCT IDENTIFICATION MARK ON PRODUCT:
  - HALOGEN FREE PRODUCT IDENTIFICATION LOGO ON PACKAGING:

- 十三位客戶料號**
- 6位日期班別和模具代碼:  
規則: 年/月/日, 如6325D1  
6表示6年  
3表示3月份, 10/11/12月份用A/B/C代替  
25表示25號生產
- D表示白班, N表示夜班  
1表示第一套模具, - 次類推 (無模具信息用0標示)



H	LABEL	1	1.15*W6	WHITE
G	HEAT SHRINK TUBE	1	φ1.0(1.25/300V) VW-1	BLACK
F	UV	1	8860 康達電子	WHITE
E	HEAT SHRINK TUBE	2	φ1.6(1.25/600V) VW-1	BLACK
D	WIRE	1	UL10064#28AWG (WV-1/105/30V)	BLACK
C	WIRE	1	UL10064#28AWG (WV-1/105/30V)	RED
B	WIRE TO BOARD CONN.	2	PHOSPHOR BRONZE	G/F 0.5u
A	BATTERY	1	NYLON66 UL94V-0	WHITE

NO	DESCRIPTION	QTY	MATERIAL	PLATING & COLOR
A	BATTERY	1	SINGATRON BATTERY P/N:28A3075-002111F	

DECIMALS:	ANGLES:
X : ±0.5	X : ±2°
X.X : ±0.3	X.X : ±1°
X.XX : ±0.2	

TITLE	PART NO.	SCALE:	UNIT:	SHEET: 1 OF 1	REV: B
△ BATTERY WITH WIRE HARNESS	2BW3075-001111F	---	mm		

UNLESS OTHERWISE SPECIFIED TOLERANCES	SINGATRON ENTERPRISE CO., LTD.
	信晉企業股份有限公司

CUSTOMER COPY