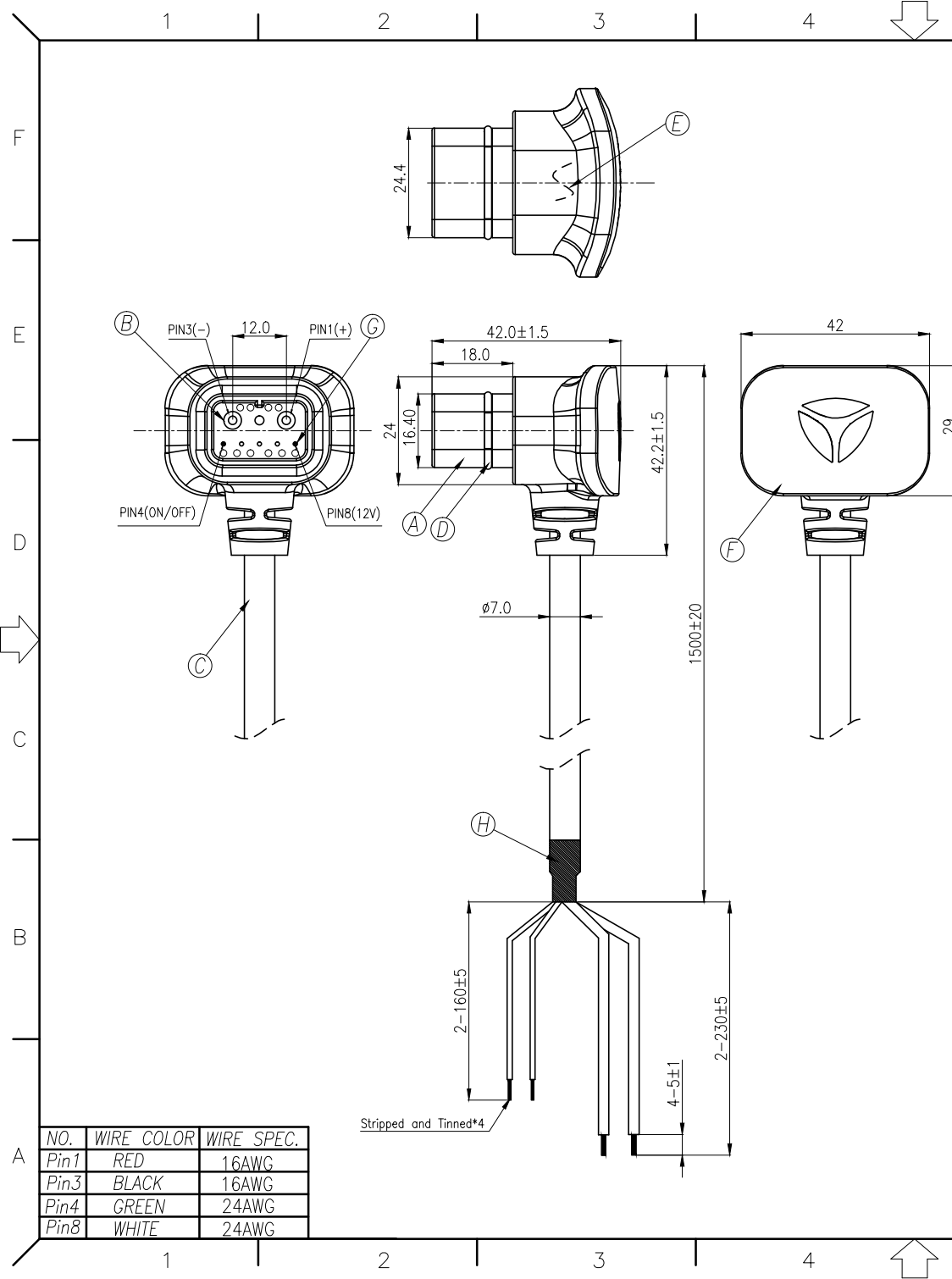
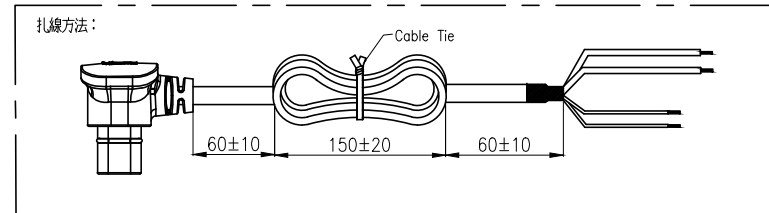


REV.	ECN NO OR DESCRIPTION	REVISED	DATE
A	PDR NO.:A200602-6A	Vincent	2020.11.26

SPECIFICATIONS:

- ELECTRICAL CHARACTERISTICS:
 - 1-1. RATING:DC73V,4A
 - 1-2. CONTACT RESISTANCE: 2 Ω MAX.(WITH CABLE)
 - 1-3. DIELECTRIC WITHSTANDING VOLTAGE: 500V AC FOR ONE MINUTE.
 - 1-4. INSULATION RESISTANCE: 50M Ω MIN. MEASURED BY 500 VDC
- MECHANICAL CHARACTERISTICS:
 - 2-1. INSERTION/WITHDRAWL FORCE : 0.6 kgf Min. (INITIAL)
- TEMPERATURE RISE CAN'T EXCEED 50°C (ONLY FOR CONNECTOR SIDE)
- LIFE TEST: 5000 CYCLES MIN.
- TO CONFORM TO SINGATRON HAZARDOUS SUBSTANCE FREE SPEC.
- GREEN PRODUCT IDENTIFICATION LABEL ON PACKAGING: **G.P. PASS**
- MATCH WITH SINGATRON BATTERY FEMALE CONN.2BA3W01-002114H



NO.	WIRE COLOR	WIRE SPEC.
Pin1	RED	16AWG
Pin3	BLACK	16AWG
Pin4	GREEN	24AWG
Pin8	WHITE	24AWG

Stripped and Tinned*4

NO	DESCRIPTION	QTY	MATERIAL	PLATING & COLOR
H	TUBE	1	POLYOLEFIN	BLACK
G	PIN2	2	BRASS	Gold Flash , OVER 50u" Ni.
F	OVER MOLD	1	PLASTIC	BLACK
E	INNER MOLD	1	PLASTIC	NATURE
D	O-RING	1	SILICONE	GRAY
C	CABLE	1	UL2464(24AWG*2C+AL)+16AWG*2C+AL	BLACK
B	CHARGE PIN1	2	BRASS	Ni 60u" Min.
A	HOUSING	1	THERMOPLASTIC	BLACK

UNLESS OTHERWISE SPECIFIED TOLERANCES

Suzhou Singatron Auto Electronics CO.,LTD.
 蘇州信音汽車電子有限公司

DECIMALS:	ANGLES:	TITLE	BATTERY CHARGE CONN. WITH CABLE		
X :±0.5	X :±2°	DWN Vincent	PART NO. 2BW3100-W04301H		
X.X :±0.3	X.X :±1°	CHKD Cerry	SCALE 1:1	UNIT: mm	
X.XX :±0.2		APVD William	SIZE: A3	SHEET: 1 OF 1	

CUSTOMER COPY