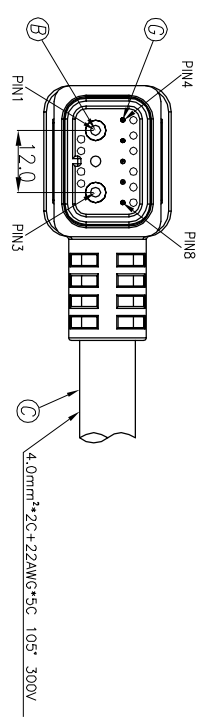
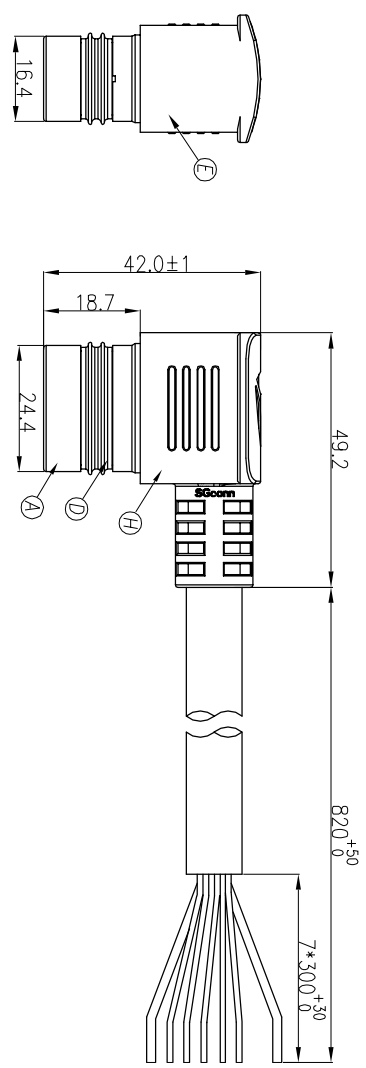
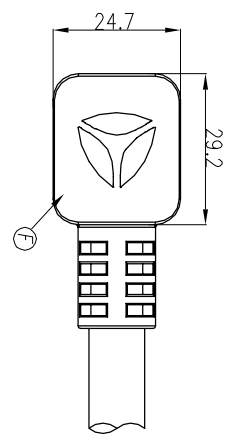


REV	ECN NO	OR DESCRIPTION	REVISED	DATE
A	PDR NO.:A200929-2A		RZ	2021.02.01
B	ECN NO.:S202201-C06		RZ	2022.02.28

SPECIFICATIONS:

- ELECTRICAL CHARACTERISTICS:
 - RATING:DC60V, 32A.
 - CONTACT RESISTANCE: 2 Ω MAX.(WITH CABLE)
 - DIELECTRIC WITHSTANDING VOLTAGE: 500V AC FOR ONE MINUTE.
 - INSULATION RESISTANCE: 50M Ω MIN. MEASURED BY 500 VDC
- MECHANICAL CHARACTERISTICS:
 - INSERTION/WITHDRAWL FORCE : 0.6 kgf Min. (INITIAL)
 - TEMPERATURE RISE CAN'T EXCEED 50°C (ONLY FOR CONNECTOR SIDE)
 - LIFE TEST: 5000 CYCLES MIN.
 - TO CONFORM TO SINGATRON HAZARDOUS SUBSTANCE FREE SPEC.
 - GREEN PRODUCT IDENTIFICATION LABEL ON PACKAGING: **G.P. PASS**
 - WATERPROOF RATING: IPX7(WHEN PROPERLY MATED)



NO.	WIRE COLOR	WIRE SPEC.
Pin1	ORANGE	4mm ²
Pin3	BLACK	4mm ²
Pin4	RED	22AWG
Pin5	GREEN	22AWG
Pin6	BLUE	22AWG
Pin7	YELLOW	22AWG
Pin8	BROWN AND WHITE	22AWG

TWIST

H	LIQUID GLUE	1	JAY234/B	BLACK
G	PIN2	5	BRASS	Gold flash PLATING, OPER 500 ° W
F	OVER MOLD	1	PVC	ORANGE(RAL2003)
E	INNER MOLD	1	TPU	NATURE
D	O-RING	1	SILICONE	BLACK
C	CABLE	1	4.0mm ² *2C+(22AWG*1P+AL) 22AWG*3C+FA+編織 OD:φ10.8	ORANGE(RAL2003)
B	DISCHARGE PIN	2	BRASS	Gold flash PLATING, OPER 500 ° W
A	HOUSING	1	PA66+GF	BLACK
NO	DESCRIPTION	QTY	MATERIAL	PLATING & COLOR
<p>UNLESS OTHERWISE SPECIFIED TOLERANCES</p> <p>蘇州信音汽車電子有限公司 Suzhou Singatron Auto Electronics CO.,LTD.</p>				
DECIMALS:		ANGLES:		
:±0.5		X :±2°		
X.X :±0.3		X.X :±1°		
X.XX :±0.2				
CUSTOMER COPY				