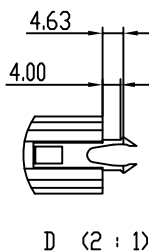
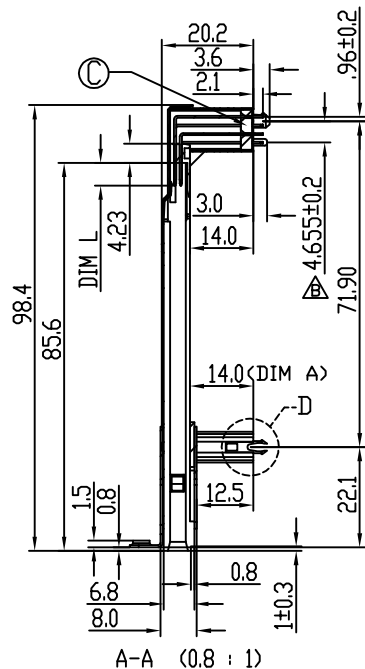
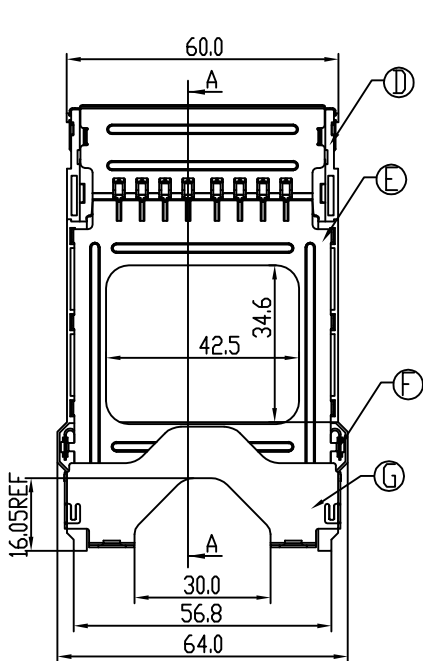


REV.	ECN NO OR DESCRIPTION	REVISED	DATE
A	PDR RELEASE	BONNIE	2008.11.24
B	ECN NO.L080142	BONNIE	2008.12.25

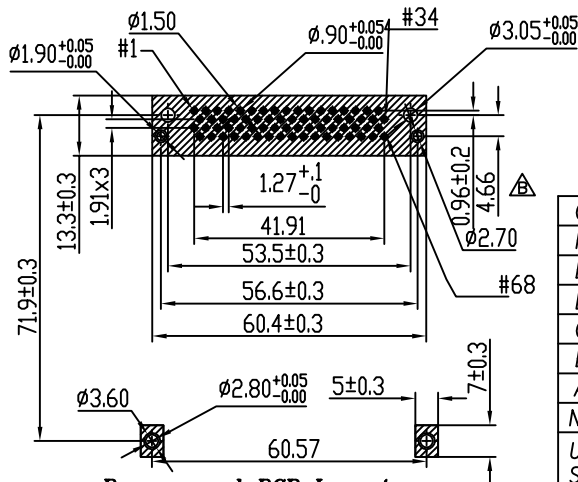
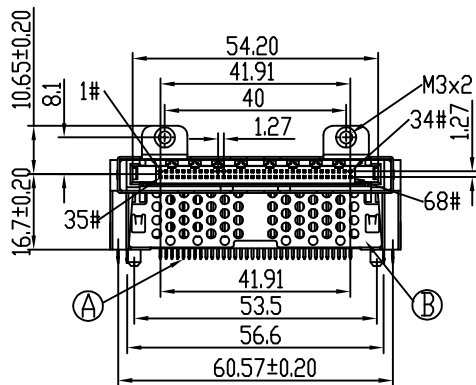


SPECIFICATIONS:

- OTHER GENERAL SPEC. TO REFER "2CA1506 SERIES SPEC".
- TO CONFORM TO SINGATRON HAZARDOUS SUBSTANCE FREE SPEC.
- PACKAGE : SEE "2CA1503-002111 SERIES" PACKAGE
- GREEN PRODUCT IDENTIFICATION LABEL ON PACKAGING: **G.P. PASS**

PART NO.
2CA1503-002111

- PACKAGE
- 1: TRAY
- HOUSING COLOR
- 1: BLACK
- CONTACT PLATING
- 1: Au / TIN PLATING
- HOUSING HIGHLY DIM A
- 2: 14mm



Recommend PCB Layout
Tolerance: ±0.05mm (top view)
Recommend PCB THICKNESS: 1.6mm

- SOLDER PAD
- NO ANY TRACE AND COMPONENT AERA

PIN TYPE	DIM.L ± 0.20	PIN NUMBER
DETECT	3.50 mm	36 , 67
GENERAL	4.25 mm	THE REST
POWER	5.00 mm	1,17,34,35,51,68

NO	DESCRIPTION	QTY	MATERIAL	PLATING & COLOR
G	Top Shield	1	SPCC	Ni PLATING
F	Hook Pin	2	Phosphor Bronze	Tin Plated
E	Card Bus	1	Stainless Steel (SUS304)	Gold Flash
D	Base	1	PBT+GF30%(UL94V-0)	BLACK COLOR
C	Locator	1	PBT+GF30%(UL94V-0)	BLACK COLOR
B	EMI Shell	1	Stainless Steel (SUS304)	Tin Plated
A	Contact	68	Copper Alloy	Au / TIN PLATING

UNLESS OTHERWISE SPECIFIED TOLERANCES		Singatron Enterprise Co., Ltd. 信音企業股份有限公司	
DECIMALS:	ANGLES:	TITLE	CARD BUS SINGLE DECK
X : ±0.5	X : ±2°	DWN	AMVC 2009.01.07 PART NO. 2CA1503-002111
X.X : ±0.3	X.X : ±1°	CHKD	JOHNSON2009.01.07 SCALE: N/A UNIT: mm
X.XX : ±0.2		APVD	JOHNSON2009.01.07 SIZE: A3 SHEET: 1 OF 1 REV: B
CUSTOMER COPY			