

REV.	ECN NO OR DESCRIPTION	REVISED	DATE
A	PDR RELEASE	AMYC	2008.12.16

- SPECIFICATIONS:
- OTHER GENERAL SPEC. TO REFER "2CA1506 SERIES SPEC".
  - TO CONFORM TO SINGATRON HAZARDOUS SUBSTANCE FREE SPEC.
  - GREEN PRODUCT IDENTIFICATION LABEL ON PACKAGING: **G.P. PASS**
  - PLEASE REFER TO TABLE 1 FOR TERMINAL LENGTH. TABLE 1
  - PACKAGE: SEE "2CA1508 SERIES" PACKAGE


**PART NO.**  
**2CA1508-000111**

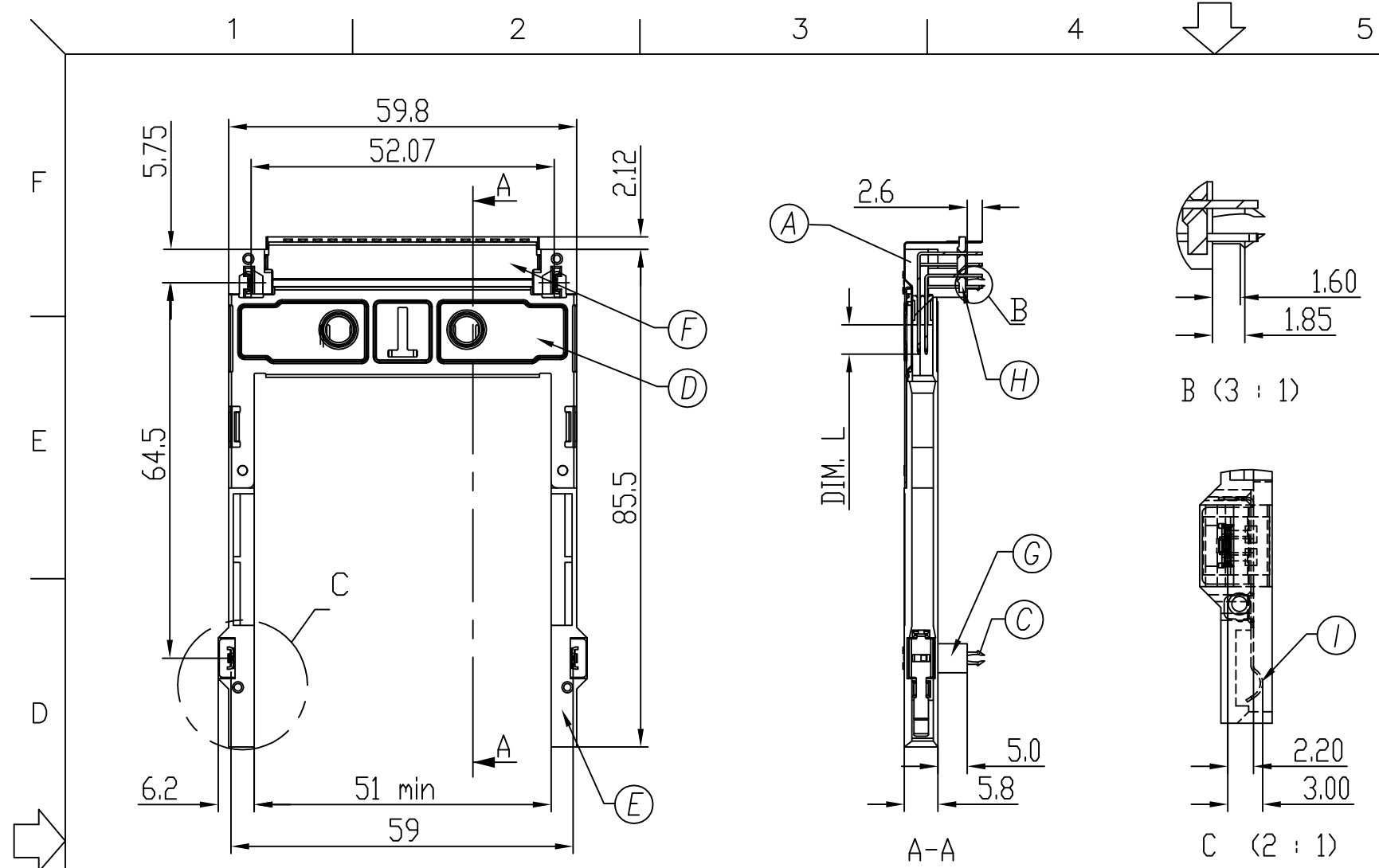
**PACKAGE**  
 1: TRAY  
**HOUSING COLOR**  
 1: BLACK  
**CONTACT PLATING**  
 1: Au / TIN

" TABLE 1 "

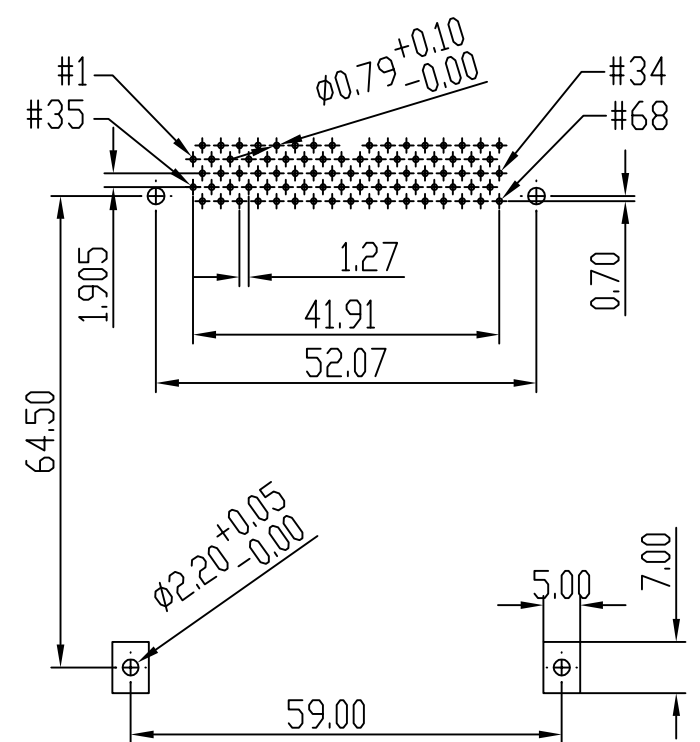
PIN TYPE	DIM.L±0.20	PIN NUMBER
DETECT	3.50 mm	36, 67
GENERAL	4.25 mm	THE REST
POWER	5.00 mm	1, 17, 34, 35, 51, 68

NO	DESCRIPTION	QTY	MATERIAL	PLATING & COLOR
I	SIDE CONTACT	2	PHOSPHOR BRONZE	Ni PLATING
H	LOCATOR	2	PBT+G.F30%(UL94V-0)	BLACK COLOR
G	STAND OFF	2	PBT+G.F30%(UL94V-0)	BLACK COLOR
F	CARD BUS SHEEL	2	PHOSPHOR BRONZE	Au PLATING
E	RAIL	2	PBT+G.F30%(UL94V-0)	BLACK COLOR
D	TOP COVER	2	STAINLESS STEEL	
C	HOOK PIN	2	PHOSPHOR BRONZE	TIN PLATING
B	Contact	68	COPPER ALLOY	Au / TIN PLATING
A	BASE	1	PBT+G.F30%(UL94V-0)	BLACK COLOR

UNLESS OTHERWISE SPECIFIED TOLERANCES		 Singatron Enterprise Co., Ltd. 信音企業股份有限公司	
DECIMALS:	ANGLES:	TITLE	68 PIN CAED BUS 5mm TYPE
X :±0.5	X :±2°	DWN	Amyc 2008.12.16 <b>PART NO.2CA1508-000111</b>
X.X :±0.3	X.X :±1°	CHKD	Johnson 2008.12.16 SCALE:N/A UNIT: mm
X.XX :±0.2		APVD	Johnson 2008.12.16 SIZE: A3 SHEET:1 OF 1 <b>REV: A</b>
<b>CUSTOMER COPY</b>			



Board lock to Board lock



**Recommend PCB Layout**  
**Tolerance: ±0.05mm (Top view)**  
**Recommend PCB THICKNESS:1.6mm**

