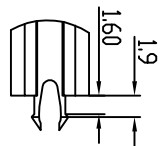
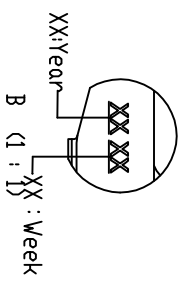
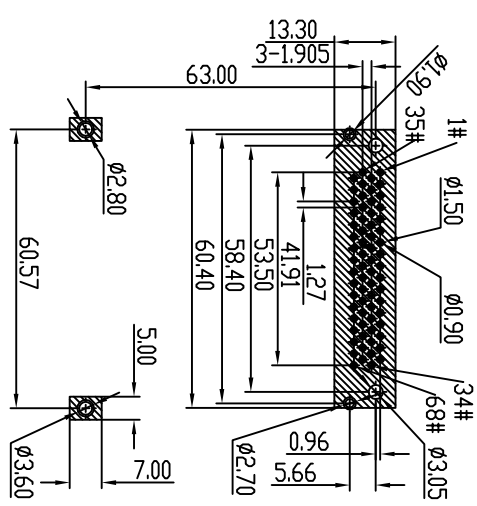
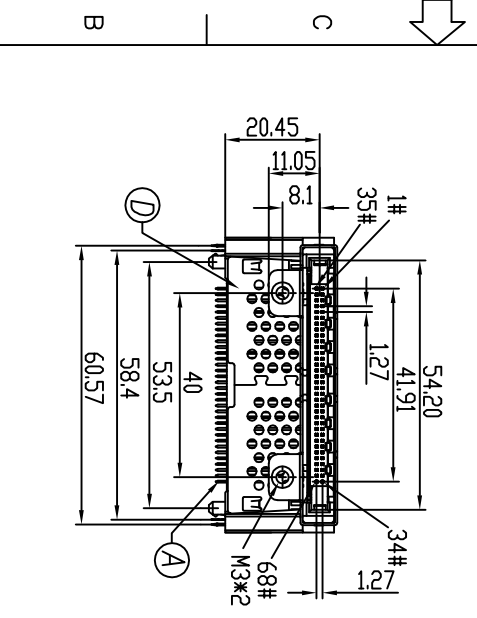
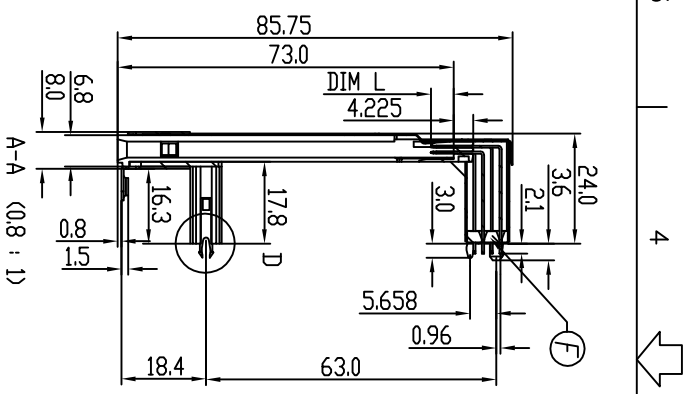
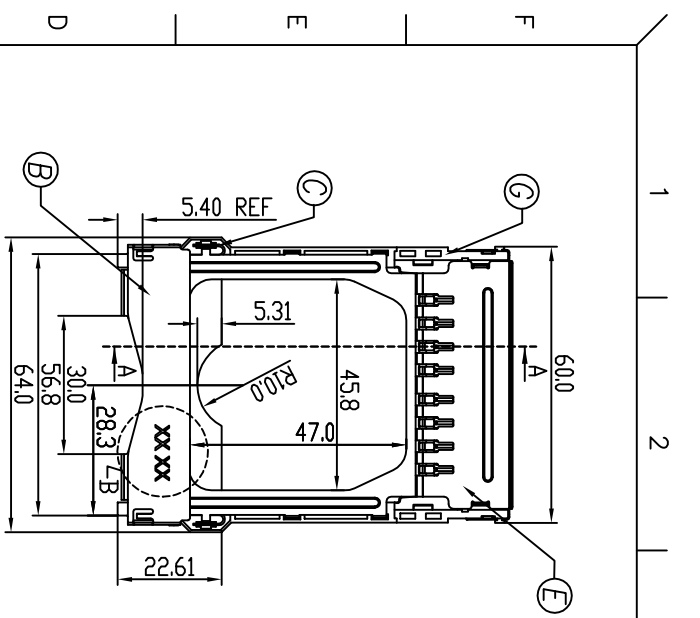


REV	ECN NO OR DESCRIPTION	REVISED	DATE
A	PDR RELEASE	BONNIE	2008.12.17



- SPECIFICATIONS:
1. OTHER GENERAL SPEC. TO REFER "2CA1502 SERIES SPEC".
 2. TO CONFORM TO SINGATRON HAZARDOUS SUBSTANCE FREE SPEC.
 3. GREEN PRODUCT IDENTIFICATION LABEL ON PACKAGING: **G.P. PASS**
 4. PACKAGE : SEE " 2CA1509 SERIES " PACKAGE.
 5. SOLDER HEAT RESISTANCE: WAVE SOLDERING 260°C 10SECS.



PART NO.
2CA1509-000111

PACKAGE
1: TRAY
HOUSING COLOR
1: BLACK PLATING
CONTACT PLATING
1: GOLD FLASH

PIN TYPE	DIM L F0.20	PIN NUMBER
DETECT	3.50 mm	36, 67
GENERAL	4.25 mm	THE REST
POWER	5.00 mm	1, 17, 34, 35, 51, 68

Recommend PCB Layout
Tolerance: ±0.05mm (Top view)
Recommend PCB THICKNESS: 1.6mm

NO	DESCRIPTION	QTY	MATERIAL	PLATING & COLOR
G	Base	1	PBT+GF30% UL94V-0	BLACK COLOR
F	Loactor	1	PBT+GF30% UL94V-0	BLACK COLOR
E	Card Bus	1	Stainless Steel	
D	EMI Shell	1	Stainless Steel	TIN PLATING
C	Hook Pin	1	Phosphor Bronze	GOLD FLASH / NI PLATING
B	Top Shield	1	SPCC	NI PLATING
A	Contact	68	Copper Alloy	GOLD FLASH / TIN PLATING

UNLESS OTHERWISE SPECIFIED TOLERANCES

Singatron Enterprise Co., Ltd.
信音企業股份有限公司

DECIMALS:	ANGLES:
X : ±0.5	X : ±2
X.X : ±0.3	X.X : ±1
X.XX : ±0.2	

TITLE	68 PIN QWED BUS 17mm TYPE
DRAWN	HW
CHECKED	JANSON
APVD	JANSON
PART NO.	2CA1509-000111
SCALE	N/A
UNIT	mm
SIZE	A3
SHEET	1 OF 1
REV	A

CUSTOMER COPY