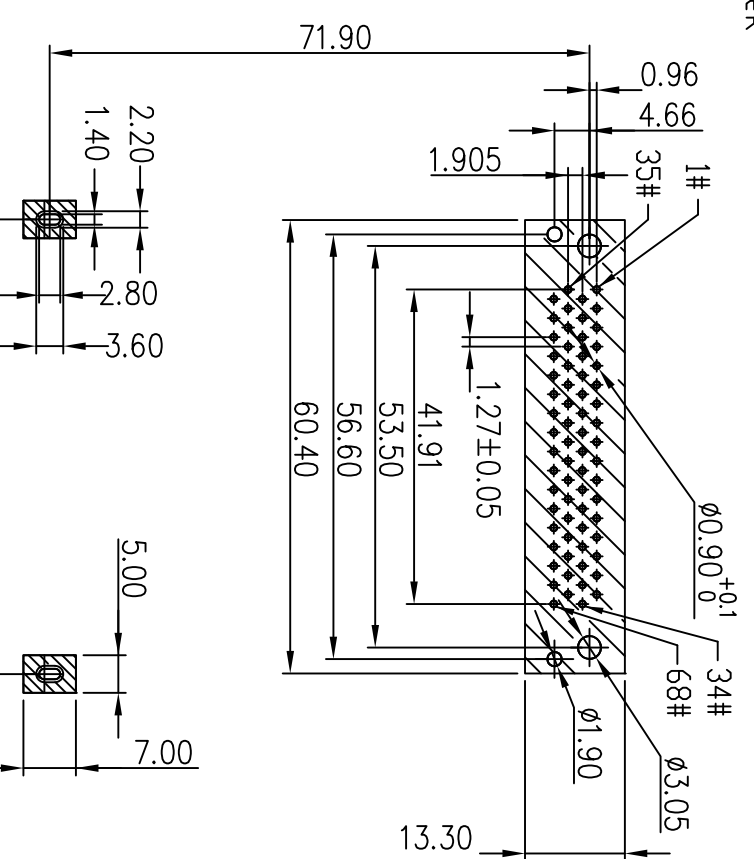
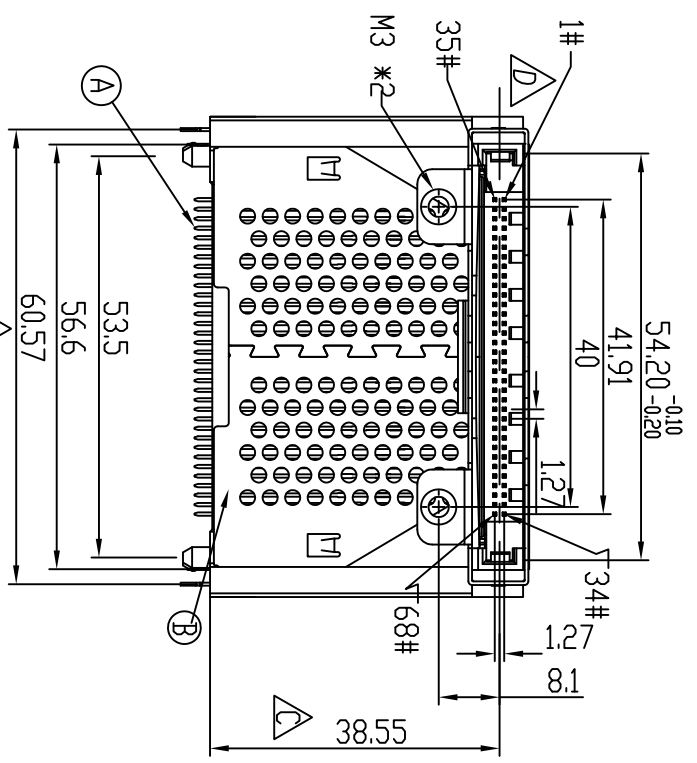


- SPECIFICATIONS:
1. OTHER GENERAL SPEC. TO REFER "2CA1506 SERIES SPEC".
 2. TO CONFORM TO SINGATRON HAZARDOUS SUBSTANCE FREE SPEC.
 3. GREEN PRODUCT IDENTIFICATION LABEL ON PACKAGING: **G.P. PASS**
 4. PACKAGE : SEE " 2CA1512 SERIES " PACKAGE.
 5. SOLDER HEAT RESISTANCE: WAVE SOLDERING 260°C 10SECS.

PART NO.
2CA1512-000111

- PACKAGE
- 1: TRAY
- HOUSING COLOR
- 1: BLACK
- CONTACT PLATING
- 1: GOLD FLASH / TIN PLATING

PIN TYPE	DIM.L±0.20	PIN NUMBER
DETECT	3.50 mm	36, 67
GENERAL	4.25 mm	THE REST
POWER	5.00 mm	1, 17, 34, 35, 51, 68



Recommend PCB Layout
Tolerance: ±0.05mm (Top view)
Recommend PCB THICKNESS: 1.6mm

REV.	ECN NO OR DESCRIPTION	REVISED	DATE
A	PDR RELEASE	AMYC	2009.05.25
B	ECN NO. L090078	DAVID-T	2009.12.17
C	ECN NO. L110013	IVY-C	2011.02.16
D	ECN NO. L120147	IVY-C	2012.11.12

NO	DESCRIPTION	QTY	MATERIAL	PLATING & COLOR
G	Top Shield	1	SPCC	Ni PLATING
F	Hook Pin	2	Phosphor Bronze	GOLD FLASH / TIN PLATING
E	Card Bus	1	Stainless Steel	
D	Base	1	PBT+GF30%(UL94V-0)	BLACK COLOR
C	Locator	1	PBT+GF30%(UL94V-0)	BLACK COLOR
B	EMI Shell	1	Stainless Steel	TIN PLATING
A	Contact	68	Copper Alloy	GOLD FLASH / TIN PLATING
NO	DESCRIPTION	QTY	MATERIAL	PLATING & COLOR

UNLESS OTHERWISE SPECIFIED TOLERANCES

DECIMALS: ANGLES:

X : ±0.5 X : ±2°

X.X : ±0.3 X.X : ±1'

X.XX : ±0.2

Singatron Enterprise Co., Ltd.
信音企業股份有限公司

W/C: 20121112
D/W: 20121112
CHKD: 20121112
APVD: 20121112

PART NO. 2CA1512-000111

SCALE: N/A UNIT: mm

SIZE: A3 SHEET: 1 OF 1 REV: D

CUSTOMER COPY