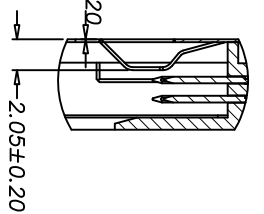


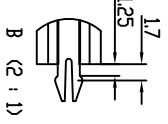
REV/ECN NO OR DESCRIPTION	REVISED	DATE
A PDR RELEASE	David-T	2009.07.28
B ECN NO:L100070	IY-C	2010.08.09
C ECN NO:L170013	IY-C	2011.02.16
D ECN NO:L120147	IY-C	2012.11.12

**SPECIFICATIONS:**

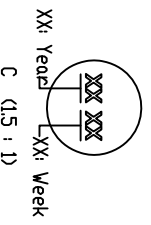
1. OTHER GENERAL SPEC. TO REFER "2CA1506 SERIES SPEC".
2. TO CONFORM TO SINGATRON HAZARDOUS SUBSTANCE FREE SPEC.
3. GREEN PRODUCT IDENTIFICATION LABEL ON PACKAGING: **G.P. PASS**
4. PACKAGE: SEE "2CA1514 SERIES" PACKAGE.
5. FOR WAVE SOLDERING LEAD-FREE PROCESS.



GND FINGER VIEW



B (2:1)

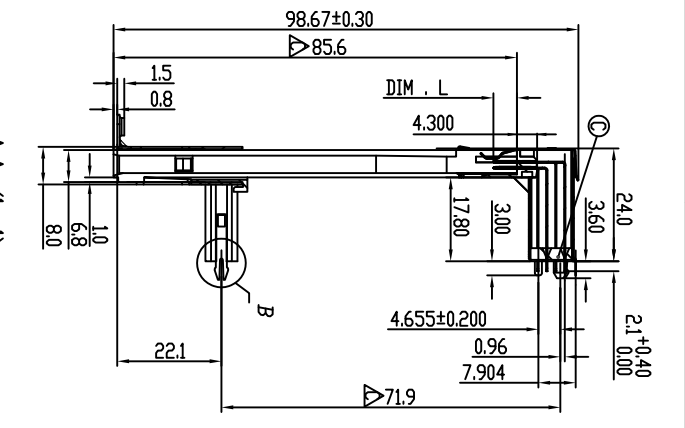
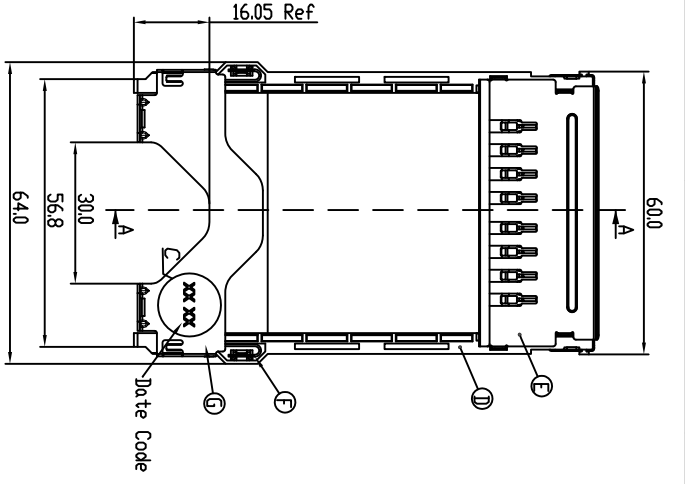


XX: Year  
C (1.5:1)  
XX: Week

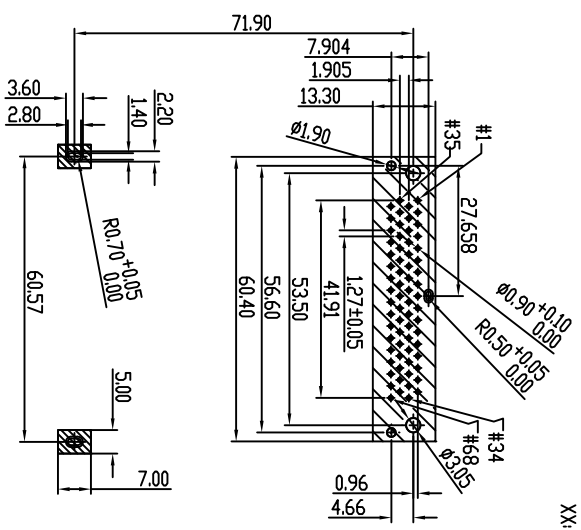
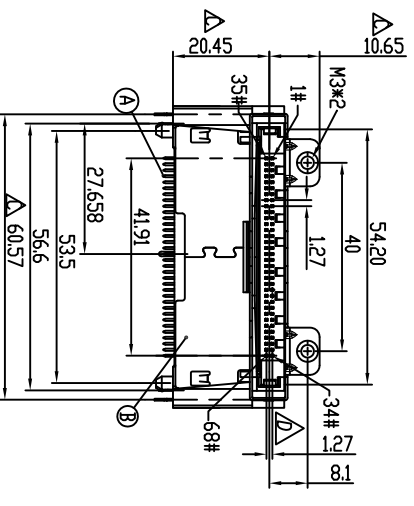
**PART NO.**  
**2CA1514-000111**

**PACKAGE**  
1: TRAY  
**HOUSING COLOR**  
1: BLACK  
**CONTACT PLATING**  
1: Gold Flash at Contact End  
Tin Plated at Solder End

PIN TYPE	DIM. L ±0.20	PIN NUMBER
DEFECT	3.50 mm	36, 67
GENERAL	4.25 mm	THE REST
POWER	5.00 mm	1, 17, 34, 35, 51, 68



A-A (1:1)



PCB LAYOUT: COMPONENT SIDE  
PCB THK: 160±0.10

NO	DESCRIPTION	QTY	MATERIAL	PLATING & COLOR
G	Top Shield	1	SPCC	Nickel Plated
F	Hook Pin	2	Phosphor Bronze	Gold Flash/Tin Plated
E	Card Bus	1	Stainless Steel	
D	Base	1	PBT+GF30%(UL94V-0)	BLACK COLOR
C	Housing	1	PBT+GF30%(UL94V-0)	BLACK COLOR
B	EMI Shell	1	Stainless Steel	Tin Plated
A	Contact	68	Copper Alloy	Gold Flash/Tin Plated

UNLESS OTHERWISE SPECIFIED TOLERANCES

Singatron Enterprise Co., Ltd.  
信音企業股份有限公司

DECIMALS:	ANGLES:	TITLE
X : ±0.5	X : ±2°	CARD BUS SINGLE DECK
XX : ±0.3	XX : ±1°	
XXX : ±0.2		

DWN: 2012.11.12  
CHKD: 2012.11.12  
APVD: 2012.11.12  
PART NO. 2CA1514-000111  
SCALE 1:1  
UNIT: mm  
SHEET: 1 OF 1  
REV: D  
CUSTOMER COPY