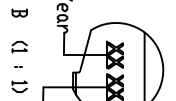
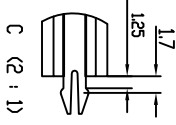
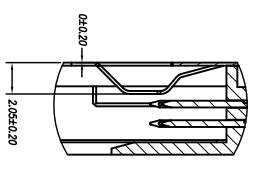


A-A (1:1)



B (1:1)



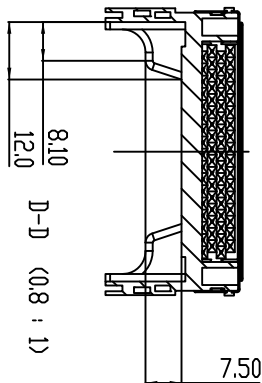
GND FINGER VIEW

- SPECIFICATIONS:
1. OTHER GENERAL SPEC. TO REFER "2CA1502 SERIES SPEC".
 2. TO CONFORM TO SINGATRON HAZARDOUS SUBSTANCE FREE SPEC.
 3. GREEN PRODUCT IDENTIFICATION LABEL ON PACKAGING: **G.P. PASS**
 4. PACKAGE : SEE " 2CA1509 SERIES " PACKAGE.
 5. SOLDER HEAT RESISTANCE: WAVE SOLDERING 260°C 10SECS.

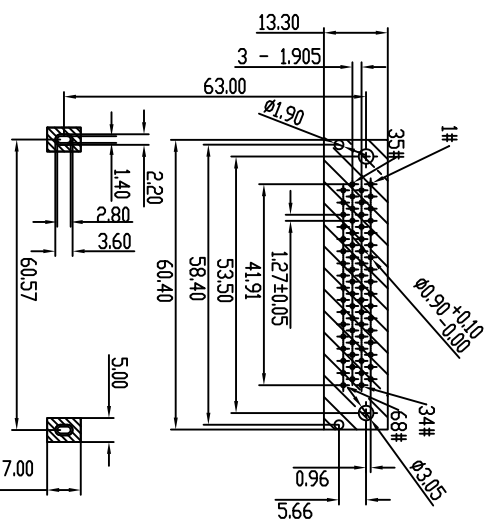
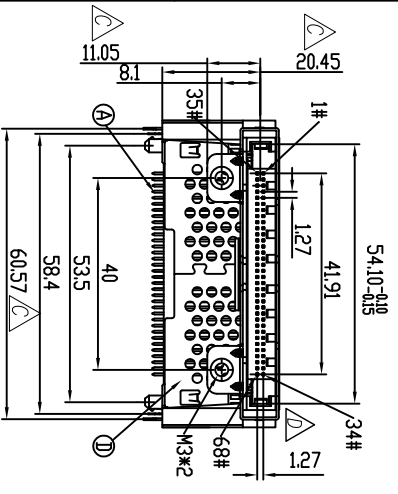
PART NO.

2CA1519-000111

- PACKAGE 1: TRAY
- HOUSING COLOR 1: BLACK
- CONTACT PLATING 1: GOLD FLASH ON MATING AREA
- TIN PLATING ON SOLDER AREA



D-D (0.8 : 1)



PIN TYPE	DIM.L±0.20	PIN NUMBER
DETECT	3.50 mm	36, 67
GENERAL	4.25 mm	THE REST
POWER	5.00 mm	1, 17, 34, 35, 51, 68

Recommend PCB Layout
 Recommend PCB Thickness: 1.6±0.1mm
 Tolerance: ±0.05mm (Top view)

REV.	ECN NO.	OR DESCRIPTION	REVISED	DATE
A	PDR RELEASE	IVY-C	2010.01.15	
B	ECN NO. L1100009	IVY-C	2010.02.25	
C	ECN NO. L110013	IVY-C	2011.02.16	
D	ECN NO. L120147	IVY-C	2012.11.12	

G	Base	1	PBT+GF30% UL94V-0	BLACK COLOR
F	Locator	1	PBT+GF30% UL94V-0	BLACK COLOR
E	Card Bus	1	Stainless Steel	
D	EMI Shell	1	Stainless Steel	TIN PLATING
C	Hook Pin	1	Phosphor Bronze	GOLD FLASH / TIN PLATING
B	Top Shield	1	SPCC	NI PLATING
A	Contact	68	Copper Alloy	GOLD FLASH / TIN PLATING
NO	DESCRIPTION	QTY	MATERIAL	PLATING & COLOR
UNLESS OTHERWISE SPECIFIED TOLERANCES				
DECIMALS: ANGLES:				
X	:±0.5	X	:±2°	
X.X	:±0.3	X.X	:±1°	
X.XX	:±0.2			
Singatron Enterprise Co., Ltd. 信音企業股份有限公司				
TITLE		68 PIN CARD BUS 17mm HEIGHT		
DWG	IVY-C-20121112	PART NO.	2CA1519-000111	
CHKD	IVY-C-20121112	SCALE	1:1	
APVD	IVY-C-20121112	SIZE	A3	
		SHEET	1 OF 1	
		REV.	D	
CUSTOMER COPY				