

REV	ECN NO OR DESCRIPTION	REVISED	DATE
A	PDR RELEASE	IYV-C	2010.01.11
B	ECN NO: L110019	IYV-C	2011.02.14
C	ECN NO: L110013	IYV-C	2011.02.16
D	ECN NO: L120147	IYV-C	2012.11.12

SPECIFICATIONS:

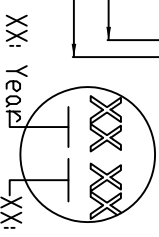
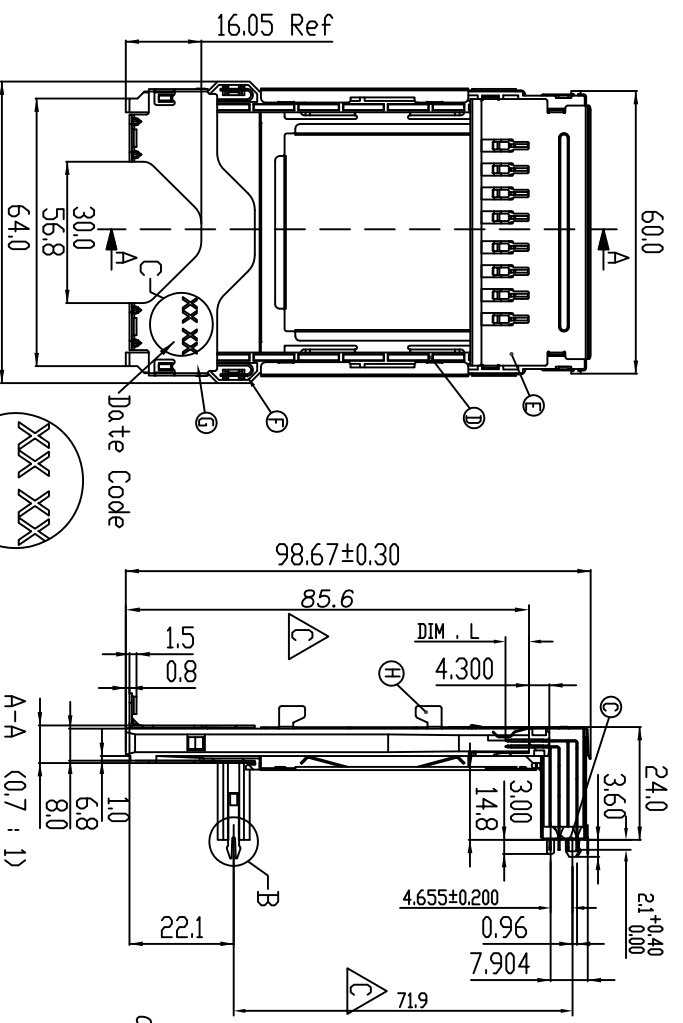
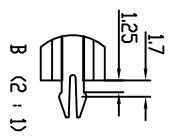
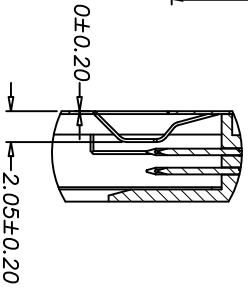
1. OTHER GENERAL SPEC. TO REFER "2CA1506 SERIES SPEC".
2. TO CONFORM TO SINGATRON HAZARDOUS SUBSTANCE FREE SPEC.
3. GREEN PRODUCT IDENTIFICATION LABEL ON PACKAGING: **G.P. PASS**
4. PACKAGE: SEE "2CA1521 SERIES" PACKAGE.
5. FOR WAVE SOLDERING LEAD-FREE PROCESS.

PART NO.
2CA1521-000111

- PACKAGE
- 1: TRAY
- HOUSING COLOR
- 1: BLACK
- CONTACT PLATING
- 1: Gold Flash at Contact End
- Tin Plated at Solder End

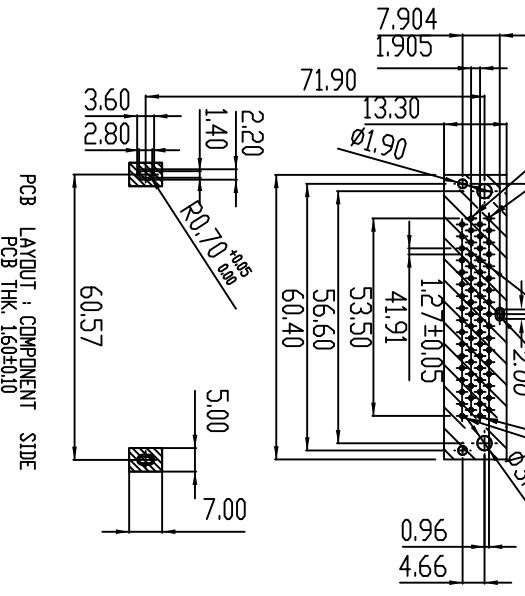
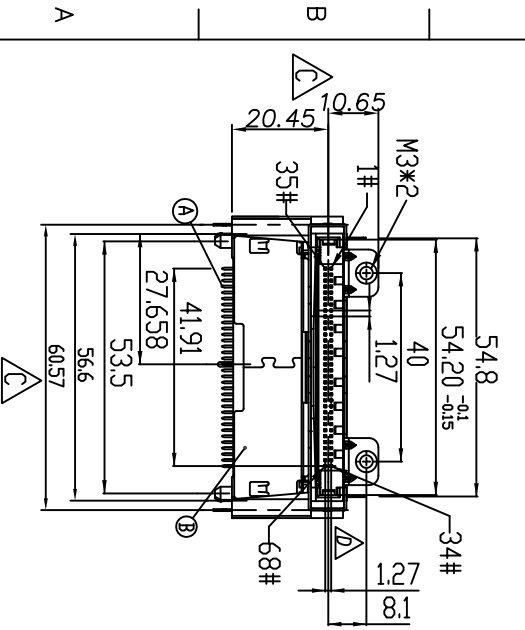
PIN TYPE	DIM. L ±0.20	PIN NUMBER
DETECT	3.50 mm	36, 67
GENERAL	4.25 mm	THE REST
POWER	5.00 mm	1, 17, 34, 35, 51, 68

GND FINGER VIEW



XX: Year
XX: Week #1

C (1.5 : 1)



PCB LAYOUT : COMPONENT SIDE
PCB THK: 160±0.10

NO	DESCRIPTION	QTY	MATERIAL	PLATING & COLOR
H	CLIP	1	STAINLESS STEEL	N/A
G	TOP SHIELD	1	SPCC	NICKEL
F	HOOK PIN	2	PHOSPHOR BRONZE	GOLD FLASH / TIN
E	CARD BUS	1	STAINLESS STEEL	N/A
D	BASE	1	PBT+GF30%(UL94V-0)	BLACK
C	LOCATOR	1	PBT+GF30%(UL94V-0)	BLACK
B	EMI SHELL	1	STAINLESS STEEL	TIN
A	CONTACT	68	COPPER ALLOY	GOLD FLASH / TIN
NO	DESCRIPTION	QTY	MATERIAL	PLATING & COLOR

UNLESS OTHERWISE SPECIFIED TOLERANCES
SINGATRON
Singapore Enterprise Co., Ltd.
信音企業股份有限公司

DECIMALS:	ANGLES:	TITLE	CARD BUS SINGLE DECK WITH HEATSINK CLIP
X : ±0.5	X : ±2°	DWN	HW-C-2021112
XX : ±0.3	XX : ±1°	CHKD	LMD-T-2021112
X:XX : ±0.2		APVD	LMD-T-2021112

PART NO. 2CA1521-000111
SCALE 1:1
UNIT: mm
SHEET: 1 OF 1
REV: D
CUSTOMER COPY