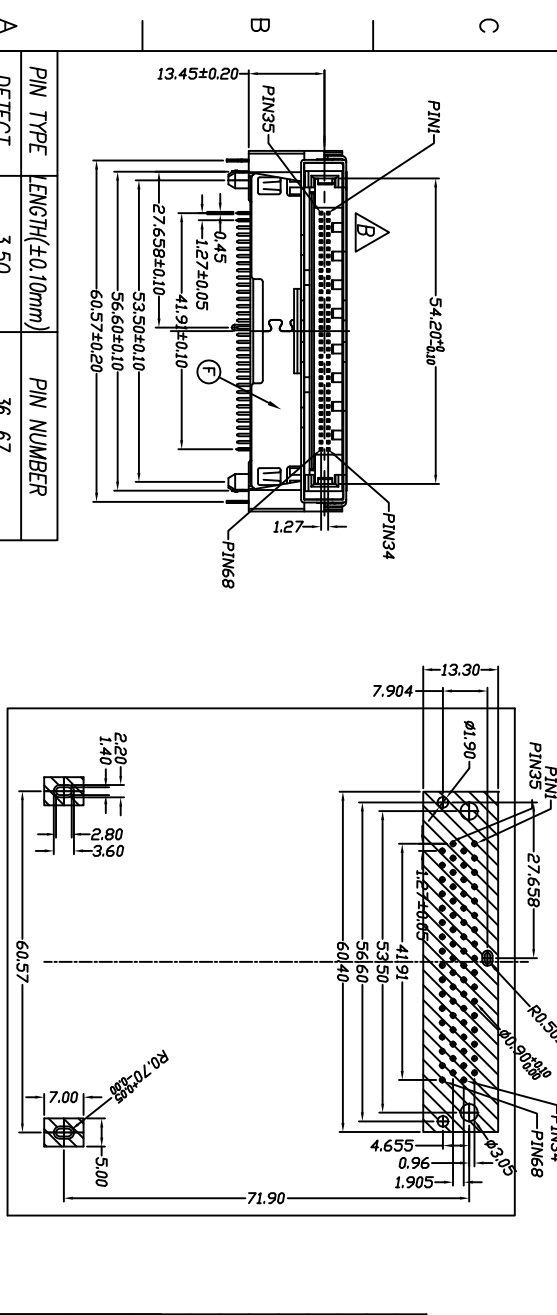
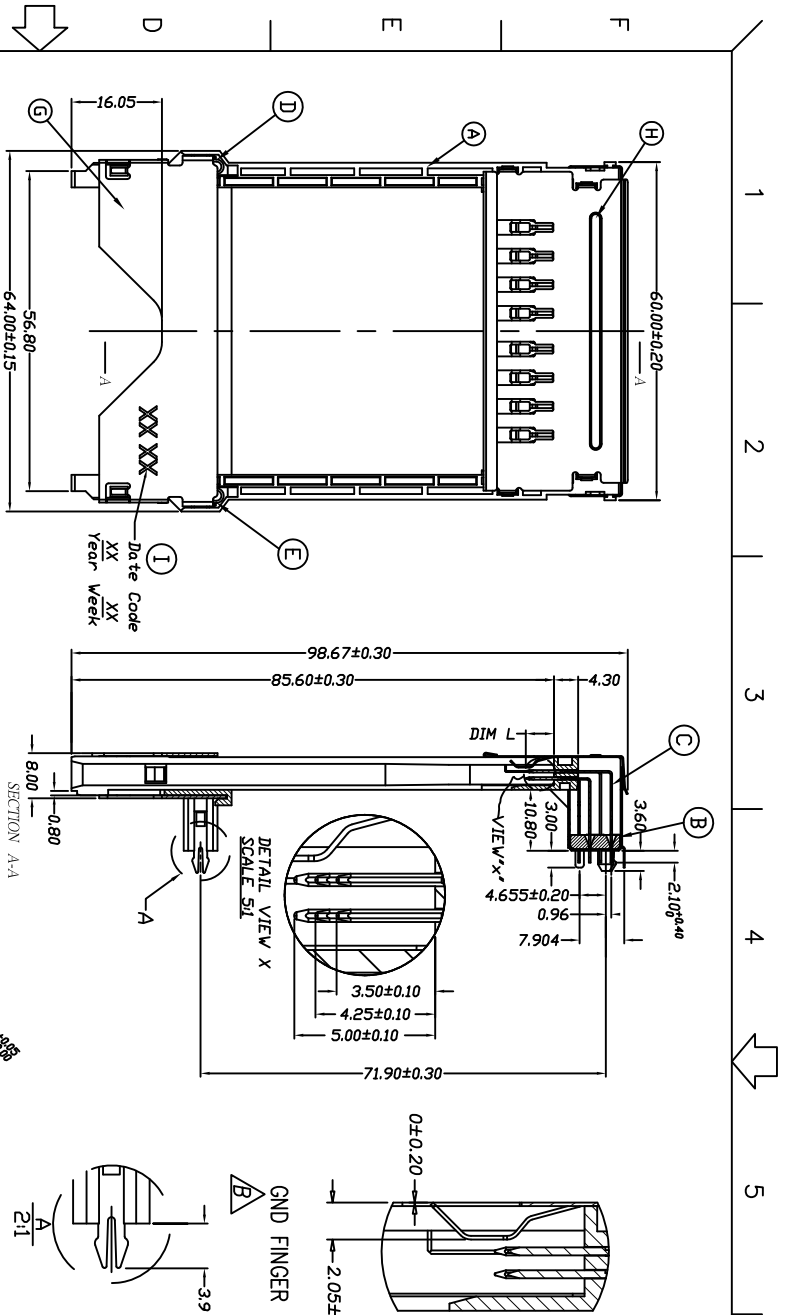


REV/ECN NO OR DESCRIPTION	REVISED DATE
A PDR RELEASE	IVY-C 2012.09.05
B ECN NO: L120147	IVY-C 2012.11.12

- SPECIFICATIONS:
- OTHER GENERAL SPEC. TO REFER "2CA1506 SERIES SPEC."
 - TO CONFORM TO SINGATRON HAZARDOUS SUBSTANCE FREE SPEC.
 - GREEN PRODUCT IDENTIFICATION LABEL ON PACKAGING: **G.P. PASS**
 - PACKAGE : SEE " 2CA1528 SERIES " PACKAGE.
 - FOR WAVE SOLDERING LEAD-FREE PROCESS.



PIN TYPE	LENGTH(±0.10mm)	PIN NUMBER
DETECT	3.50	36, 67
GENERAL	4.25	ALL OTHER PINS
POWER/GND	5.00	1, 17, 34, 35, 51, 68

Recommend P.C.B Layout
Tolerance: ±0.05mm (Dimension View)
Recommend P.C.B THICKNESS: 1.6mm

PART NO.
2CA1528-000111H

- SUFFIX: HALOGEN
- PACKAGE
- 1: TRAY
- HOUSING COLOR
- 1: BLACK
- CONTACT PLATING
- 1: GOLD FLASH ON CONTACT AREA,
- TIN PLATING ON SOLDER AREA

NO	DESCRIPTION	QTY	MATERIAL	PLATING & COLOR
I	INK	-		BLACK
H	CARD BUS SHELL	1	STAINLESS STEEL	N/A
G	TOP SHELL	1	SPCC	NICKEL
F	EMI SHELL	1	STAINLESS STEEL	TIN
E	RIGHT HOOK PIN	1	COPPER ALLOY	GOLD FLASH / TIN
D	LEFT HOOK PIN	1	COPPER ALLOY	GOLD FLASH / TIN
C	CONTACT	68	COPPER ALLOY	GOLD FLASH / TIN
B	LOCATOR	1	PBT+GF30%(UL94V-0)	BLACK
A	BASE	1	PBT+GF30%(UL94V-0)	BLACK
NO	DESCRIPTION	QTY	MATERIAL	PLATING & COLOR

UNLESS OTHERWISE SPECIFIED TOLERANCES

DECIMALS: ANGLES:

X : ±0.5 X : ±2
 XX : ±0.3 X.X : ±1
 X.XX : ±0.2

Singatron Enterprise Co., Ltd.
 信音企業股份有限公司

TITLE 68P PCMCIA CARDBUS, R/A, DIP, 10.8H
 DWG IVC-2012112 PART NO. 2CA1528-000111H
 CHKD IVC-2012112 SCALE: N/A UNIT: mm
 APVD IVC-2012112 SIZE: A3 SHEET: 1 OF 1 REV: B
 CUSTOMER COPY