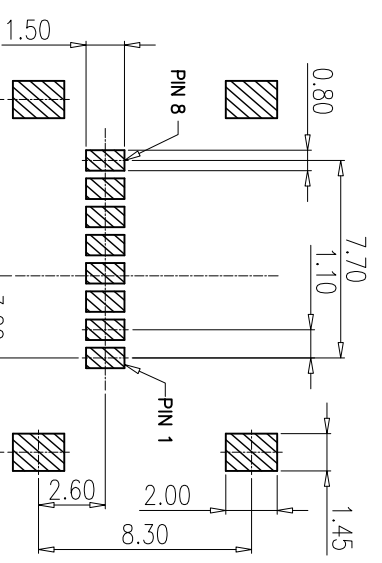
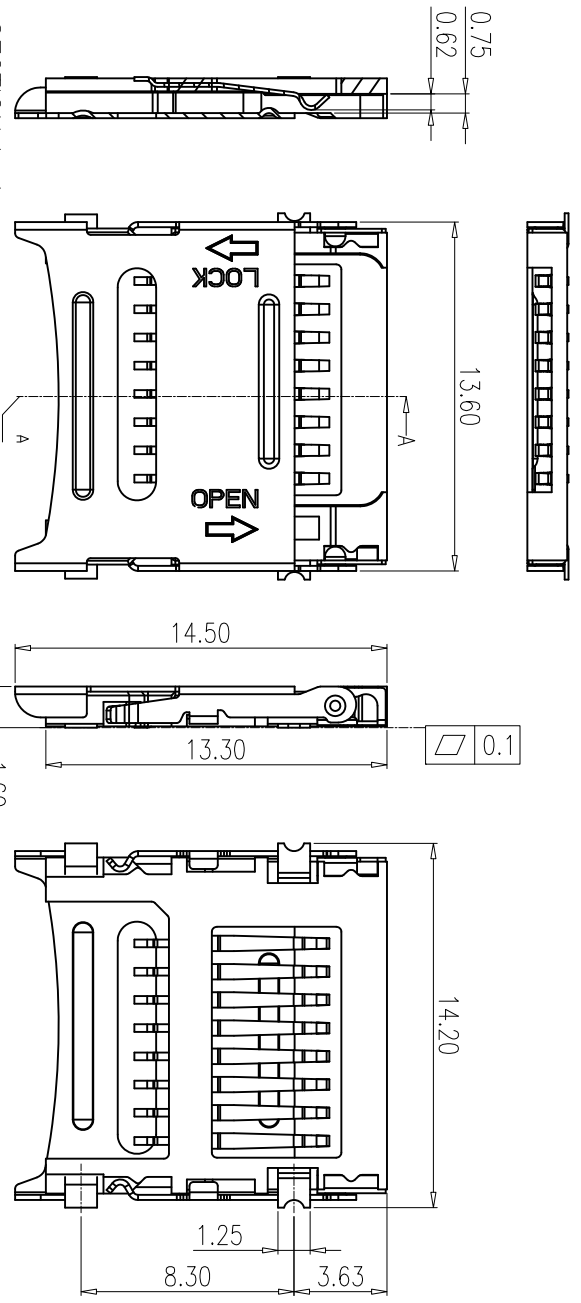


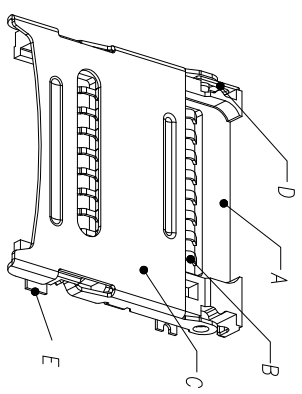
REV. ECN NO. OR DESCRIPTION	REVISED	DATE
A INITIAL RELEASE	CHRIS	12/30/10

- SPECIFICATION
1. ELECTRICAL CHARACTERISTICS:
- 1-1. CURRENT RATING: 1 0.5 A/1 TERMINAL
  - 1-2. DIELECTRIC WITHSTANDING VOLTAGE :AC500V R.M.S
  - 1-3. INSULATION RESISTANCE:1000MΩ MIN.
  - 1-4. CONTACT RESISTANCE:50 mΩ MAX.
  - 2. OPERATING TEMPERATURE:-25C +85C.
  - 3. OPERATION LIFE : 5,000 CYCLES .
  - 4. CONTACT SEPARATION FORCE:0.35KGF MINIMUM.
  - 5. GREEN PRODUCT IDENTIFICATION LABEL ON PACKAGING: **G.P. PASS**
  - 6. PACKING: REEL



RECOMMENDED PCB LAYOUT(TOP VIEW)  
GENERAL TOLERANCES:±0.05

3D VIEW



NO	DESCRIPTION	QTY	MATERIAL	PLATING & COLOR	PIN NO.	PIN Assignment
E	GROUNDER	2	COPPER ALLOY	SN PLATING	PIN1	DATA2
D	HINGE	2	COPPER ALLOY	SN PLATING	PIN2	CD/DAT3
C	SHELL	1	STAINLESS STEEL		PIN3	CMD
B	CONTACT	8	COPPER ALLOY	G/F PLATING	PIN4	VDD
A	HOUSING	1	HIGH TEMP. THERMOPLASTIC	BLACK COLOR	PIN5	CLK
					PIN6	Uss2
					PIN7	DATO
					PIN8	DAT1

UNLESS OTHERWISE SPECIFIED TOLERANCES		Singatron Enterprise Co., Ltd. 信亨企業股份有限公司	
DECIMALS:	ANGLES:	TITLE	T-FLASH CARD 1.6H CONNECTOR
X : ±0.5	X : ±2°	DWN	CHRIS 01/2010 PART NO. 2CA2Y02-000111
X.X : ±0.3	X.X : ±1°	CHKD	TONY 01/08/11 SCALE 1:1 UNIT: mm
X.XX : ±0.2		APVD	SEAN 01/08/11 SIZE: A3 SHEET: 10F1 REV: A

CUSTOMER COPY