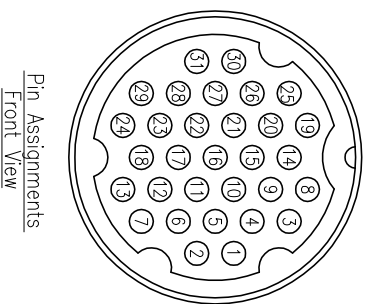
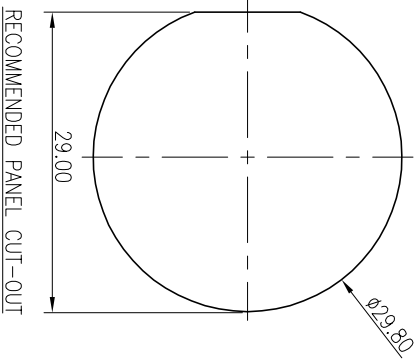
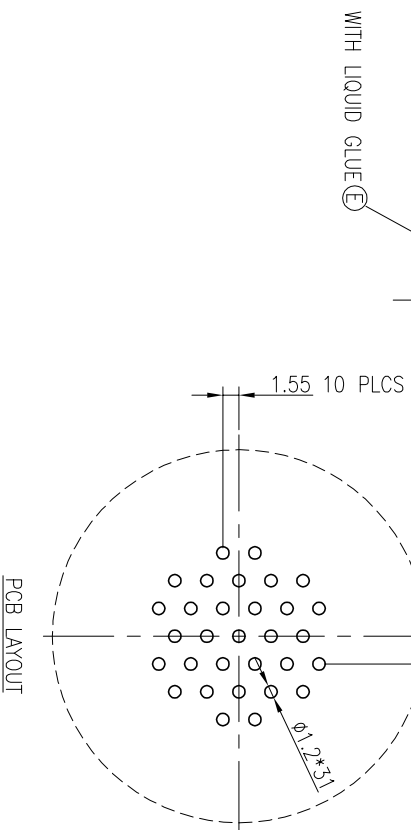
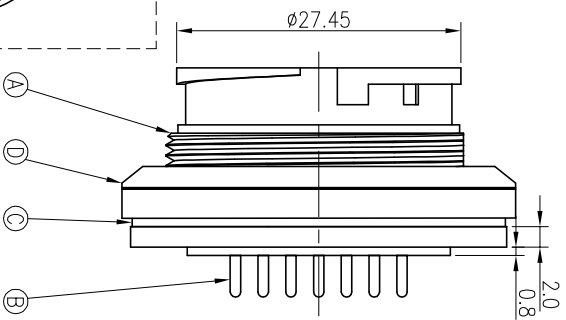


- NOTES:
1. WATERPROOF RATE: IP67
 2. IP67: IMMERSED IN 1M WATER FOR 30 MINUTES
 3. CURRENT RATING: 5A
 4. SPECIFICATIONS: SEE "CIRCULAR SERIES SPECIFICATIONS".
 5. TO CONFORM TO SINGATRON HAZARDOUS SUBSTANCE FREE SPEC.
 6. GREEN PRODUCT IDENTIFICATION LABEL ON PACKAGING: **GR-PASS**



REV.	ECN NO OR DESCRIPTION	REVISED	DATE
A	PDR NO.:T110104-1A	Shown	2011.12.08
B	ECN NO.:S121109	YF	2014.03.28

E	LIQUID GLUE	1	N/A	BLACK
D	NUT	1	NYLON+33%GF	BLUE
C	GASKET	1	EPDM	BLACK
B	FEMALE PIN	31	Phosphor Bronze	6u" GOLD PLATING OVER NICKEL PLATING
A	BODY	1	NYLON+33%GF	BLUE
NO	DESCRIPTION	QTY	MATERIAL	PLATING & COLOR
UNLESS OTHERWISE SPECIFIED TOLERANCES				
Singdtron Enterprise Co., Ltd. 信營企業股份有限公司				
TITLE: CIRCULAR MACRO SIZE (PGB/LOCK TYPE)				
DMW	X	YF	PART NO.:2CG3012-W31300	
CHKD	X	Harlen	SCALE: 2:1	UNIT: mm
APVD	X	Quon	SIZE: A3	SHEET: 1 OF 1
DECIMALS: ANGLES: X : ±0.5 X : ±2' XX : ±0.3 X.X : ±1' XXX : ±0.2				
CUSTOMER COPY				