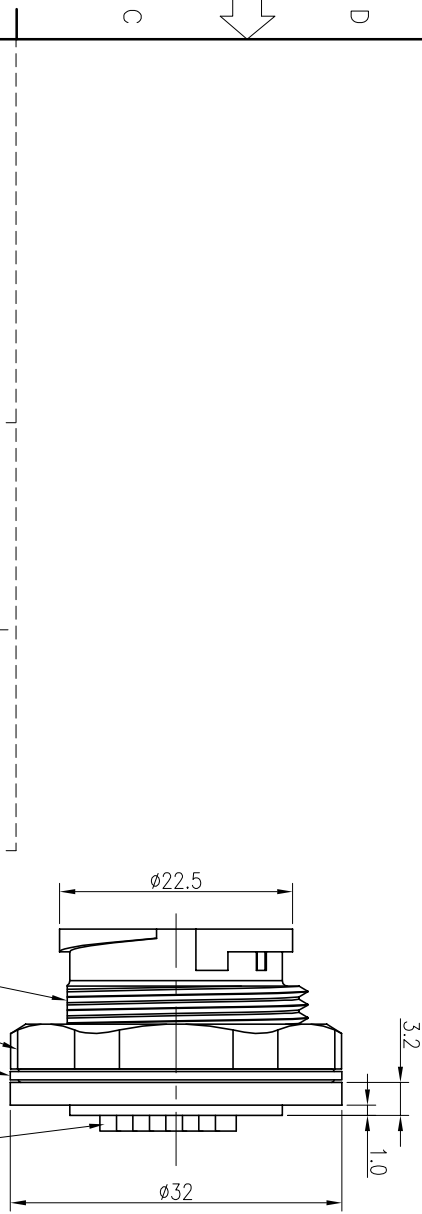
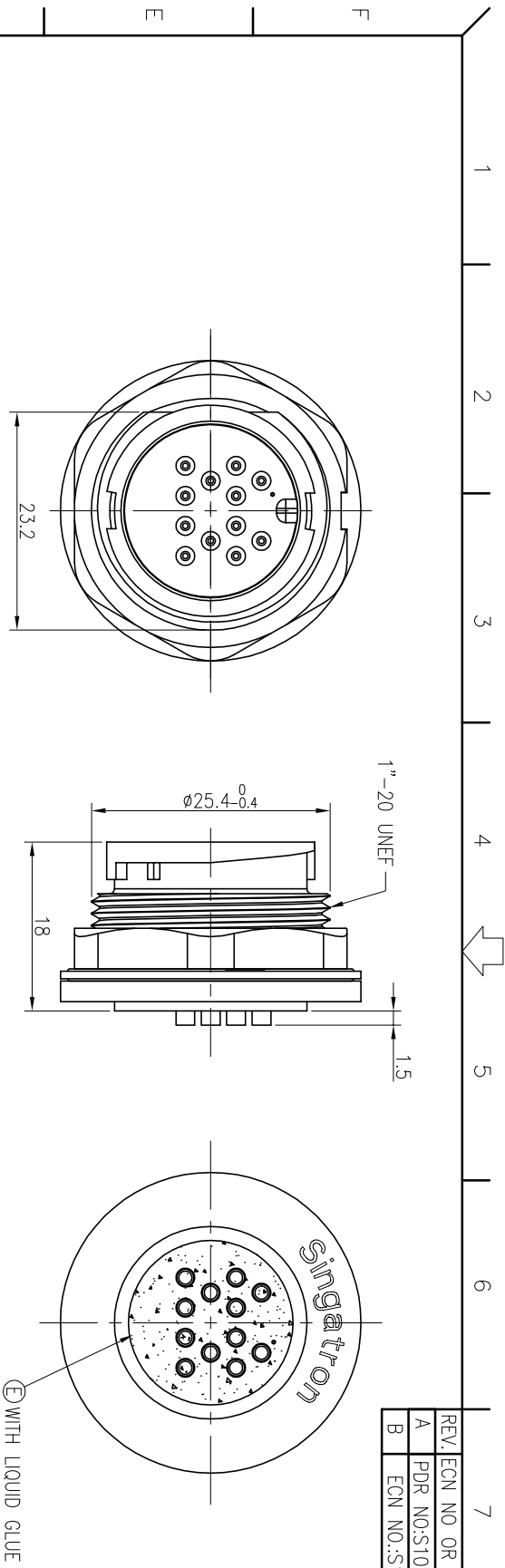
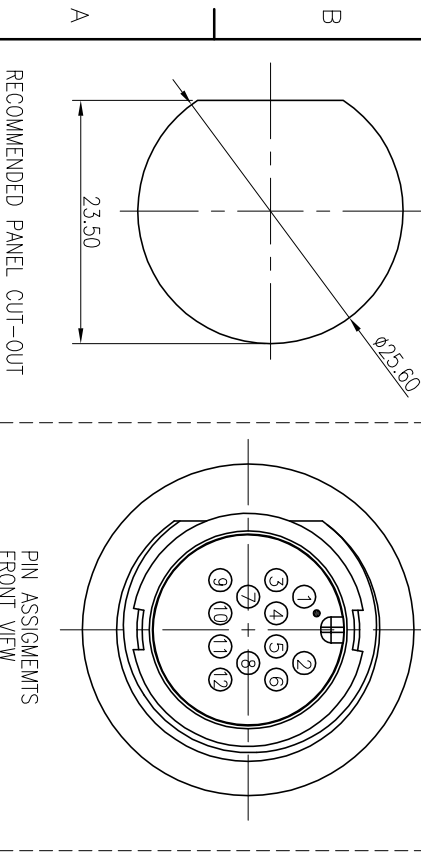


REV.	ECN NO OR DESCRIPTION	REVISED	DATE
A	PDR NO:S100519-3B	Horlen	2010.05.13
B	ECN NO:S121109	YF	2014.03.27



- NOTES:
1. WATERPROOF RATE: IP67
IP67: IMMERSED IN 1M WATER FOR 30 MINUTES
 2. ELECTRICAL CHARACTERISTICS
TEMPERATURE RANGE: -40°C TO +100°C
CURRENT RATING: 5A
 3. DIELECTRIC WITHSTANDING VOLTAGE: 500V AC FOR ONE MINUTE
 4. SPECIFICATIONS: SEE "CIRCULAR SERIES SPECIFICATIONS."
 5. TO CONFORM TO SINGATRON HAZARDOUS SUBSTANCE FREE SPEC.
 6. GREEN PRODUCT IDENTIFICATION LABEL ON PACKAGING: **GREEN PASS**
 7. FOR PANEL THICKNESS MAX OF 3.5mm



E	LIQUID GLUE	1	N/A	BLACK
D	NUT	1	NYLON+GF	BLACK
C	GASKET	1	EPDM	BLACK
B	MALE PIN	12	BRASS	6u" GOLD PLATING OVER NICKEL PLATING
A	BODY	1	NYLON+GF	BLACK
NO DESCRIPTION		QTY	MATERIAL	PLATING & COLOR
UNLESS OTHERWISE SPECIFIED TOLERANCES				
Singatron Enterprise Co., Ltd. 信營企業股份有限公司				
CIRCULAR LARGE SIZE (SOLDER/LOCK TYPE)				
TITLE		PART NO. 2CG3002-W12300		
DWG		YF		
CHKD		Horlen		
APVD		Quon		
DECIMALS:		ANGLES:	SCALE 2:1	
X	:±0.5	X	:±2'	UNIT: mm
XX	:±0.3	XX	:±1'	SHEET: 1 OF 1
XXX	:±0.2	XXX	:±1"	REV: B

CUSTOMER COPY