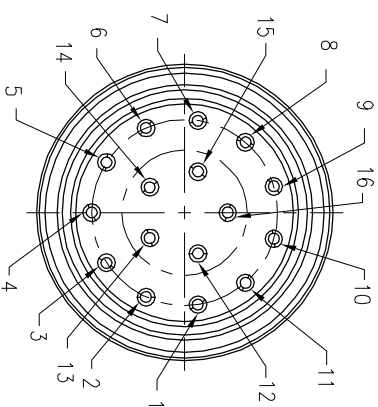
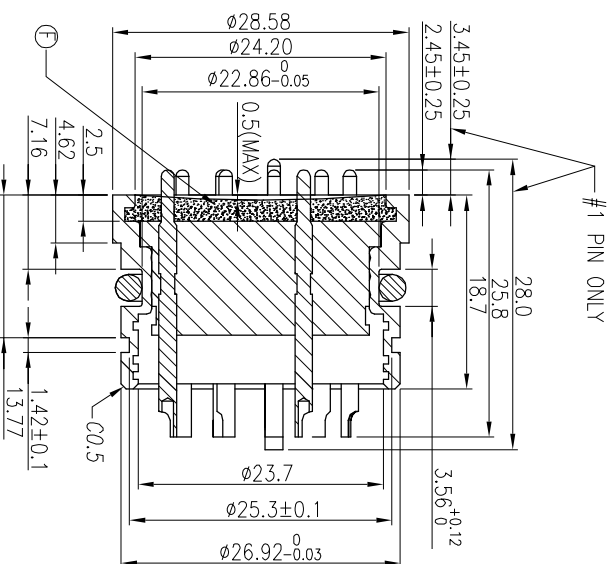


REV.	ECN NO.	OR DESCRIPTION	REVISED	DATE
A	PDR NO.:T110408-3A	LILY		2013.01.18
B	ECN NO.:S141041	Wicky		2014.11.06
C	ECN NO.:S170113-C	Wicky		2017.01.10



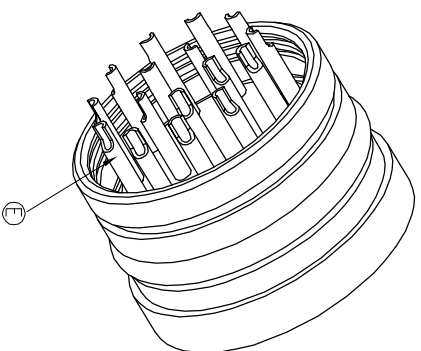
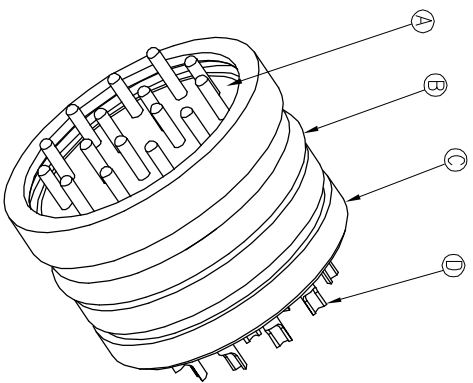
PIN NUMBERING



A-A SECTION

- NOTES:
1. WATERPROOF RATE: IP67  
IP67: IMMERSED IN 1M WATER FOR 30 MINUTES
  2. CURRENT RATING: 5A
  3. SPECIFICATIONS:SEE "CIRCULAR SERIES SPECIFICATIONS".
  4. TO CONFORM TO SINGATRON HAZARDOUS SUBSTANCE FREE SPEC.
  5. GREEN PRODUCT IDENTIFICATION LABEL ON PACKAGING: **G.P. PASS**

**⚠** EPOXY LEVEL TOLERANCE: FLUSH WITH FRAME SURFACE OR 0.5mm MAX LOWER THAN SURFACE.



F	LIQUID GLUE	1	J4723A/B	BLACK
E	LONG PIN	1	BRASS	1~3u" GOLD PLATING OVER NICKEL PLATING
D	SHORT PIN	15	BRASS	1~3u" GOLD PLATING OVER NICKEL PLATING
C	SHIELD	1	BRASS	NICKEL PLATING 60u"
B	O-RING	1	Neoprene	BLACK
A	BODY	1	NYLON+33%GF	BLACK
NO	DESCRIPTION	QTY	MATERIAL	PLATING & COLOR

UNLESS OTHERWISE SPECIFIED TOLERANCES

Singatron Enterprise Co., Ltd.  
信登企業股份有限公司

TITLE	CIRCULAR SIZE (P67)	MALE CONN. MALE 16 PIN ASSEMBLY TYPE
DWN	Wicky	PART NO. 2CG3002-W16301H
CHKD	Harlen	SCALE 2:1 UNIT: mm
APVD	Steve	SIZE: A3 SHEET: 1 OF 1 REV: C

DECIMALS: ANGLES: X :±0.5 X :±2 X.X :±0.3 X.X :±1° X.XX :±0.2

CUSTOMER COPY