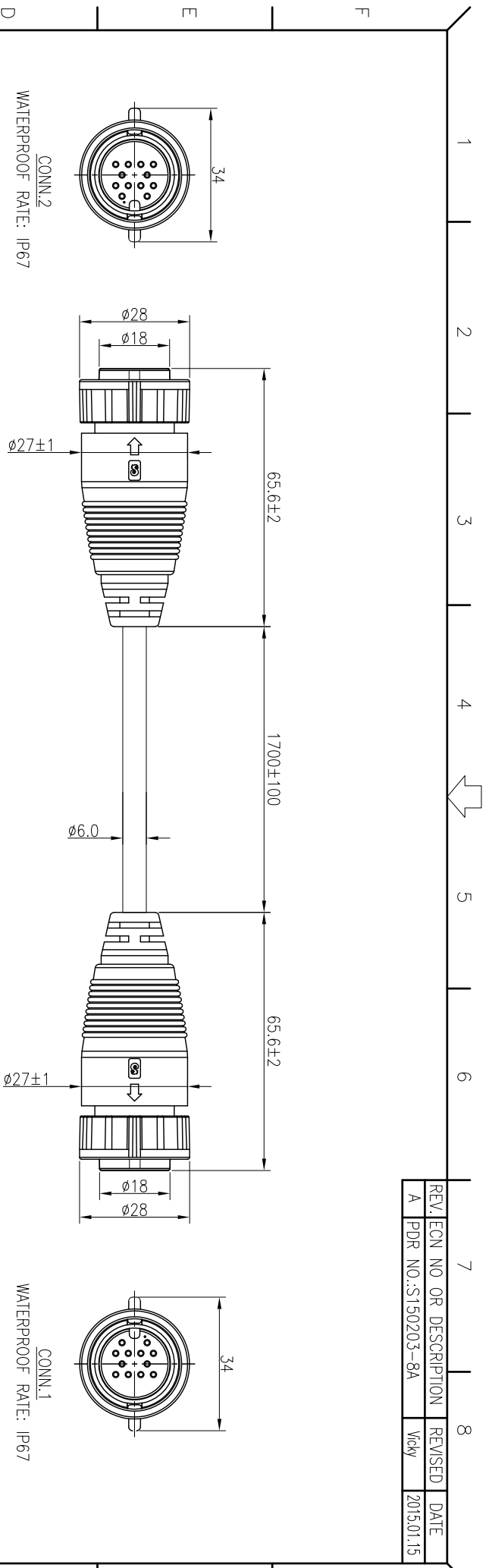


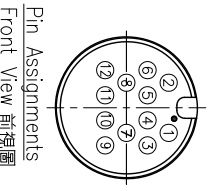
| REV. | ECN NO OR DESCRIPTION | REVISED | DATE |
|------|-----------------------|---------|------------|
| A | PDR NO.:S150203-8A | Vicky | 2015.01.15 |



| CONN.1&2 | Wire Color | Conn.1 | Conn.2 |
|----------|--------------|--------|--------|
| 1 | ORANGE/WHITE | 1 | 1 |
| 2 | ORANGE | 2 | 2 |
| 3 | GREEN/WHITE | 3 | 3 |
| 6 | BLUE | 6 | 6 |
| 9 | BLUE/WHITE | 9 | 9 |
| 10 | GREEN | 10 | 10 |
| 11 | BROWN/WHITE | 11 | 11 |
| 12 | BROWN | 12 | 12 |

NOTES:

1. WATERPROOF RATE: IP67
2. CURRENT RATING: 5A
3. SPECIFICATIONS:SEE "CIRCULAR SERIES SPECIFICATIONS".
4. TO CONFORM TO SINGATRON HAZARDOUS SUBSTANCE FREE SPEC.
5. GREEN PRODUCT IDENTIFICATION LABEL ON PACKAGING:



| NO | DESCRIPTION | QTY | MATERIAL | PLATING & COLOR |
|----|-------------|-----|--|--------------------------------------|
| A | BODY | 2 | NYLON+GF | BLACK |
| B | FEMALE PIN | 24 | Phosphor Bronze | 6u" GOLD PLATING OVER NICKEL PLATING |
| C | CABLE | 1 | CAT.5e FTP 24AWG*4P +My+D+Al/My OD:6.0 | BLACK(PVC JACKET) |
| D | INNER MOLD | 2 | TPU | NATURAL |
| E | OVER MOLD | 2 | PVC | BLACK |
| F | O-RING | 2 | EPDM | BLACK |
| G | LOCK NUT | 2 | NYLON+GF | BLACK |

| | | | |
|---------------------------------------|---------|--|--|
| UNLESS OTHERWISE SPECIFIED TOLERANCES | | Singatron Enterprise Co., Ltd. 信亨企業股份有限公司 | |
| DECIMALS: | ANGLES: | TITLE | CIRCULAR LARGE SIZE (IP67) FEMALE CONN. 12 PIN LOCK TYPE |
| X :±0.5 | X :±2° | DMN | Vicky |
| XX :±0.3 | XX :±1° | CHKD | Harden |
| XXX :±0.2 | | APVD | Steve |

PART NO.2CG3004-W12301H
 SCALE 1:1 UNIT: mm
 SIZE: A3 SHEET:1 OF 1 REV: A
 CUSTOMER COPY