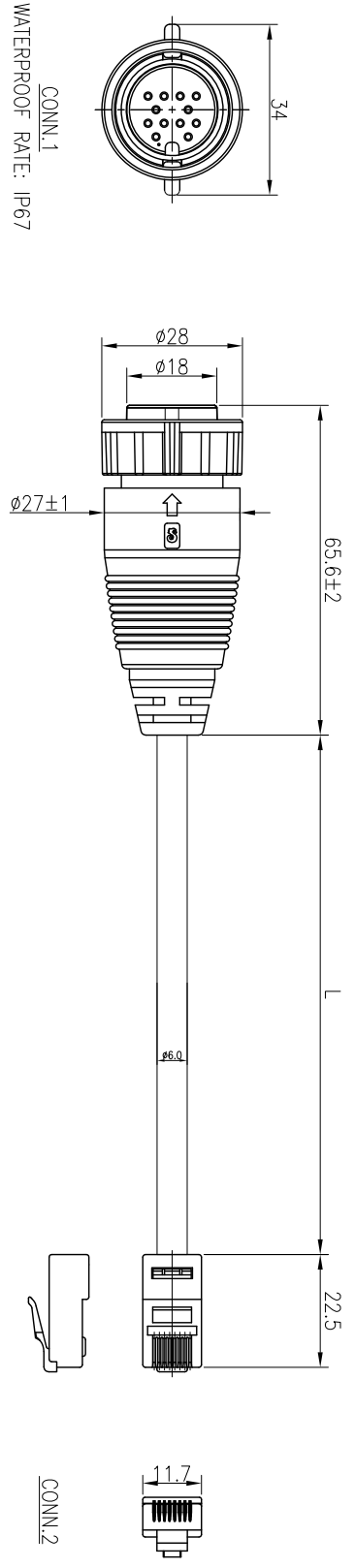
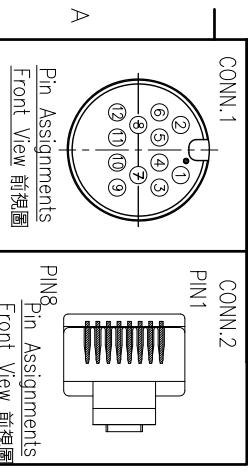


REV.	ECN NO OR DESCRIPTION	REVISED	DATE
A	PDR NO.:S150203-8B&8C	Wcky	2015.01.15



PART NO	"L" mm
2CG3004-W12302H	L=10000±500
2CG3004-W12303H	L=5000±300

Wire Color	Conn.1	Conn.2	Pin Out
BROWN	1	1	Twist
BROWN/WHITE	2	2	Twist
GREEN	3	3	Twist
BLUE/WHITE	4	4	Twist
BLUE	5	5	Twist
GREEN/WHITE	6	6	Twist
ORANGE	7	7	Twist
ORANGE/WHITE	8	8	Twist



NOTES:

1. WATERPROOF RATE: IP67
2. CURRENT RATING: 5A
3. SPECIFICATIONS:SEE "CIRCULAR SERIES SPECIFICATIONS".
4. TO CONFORM TO SINGATRON HAZARDOUS SUBSTANCE FREE SPEC.
5. GREEN PRODUCT IDENTIFICATION LABEL ON PACKAGING:

NO	DESCRIPTION	QTY	MATERIAL	PLATING & COLOR
H	8P8C PLUG	1	8P8C FTP PLUG	6u" GOLD PLATING OVER NICKEL PLATING
G	CABLE	1	CAT.5e FTP 24AWG*4P +MY+D+AI/MY OD:6.0	BLACK(PVC JACKET)
F	INNER MOLD	1	TPU	NATURAL
E	OVER MOLD	1	PVC	BLACK
D	O-RING	1	EPDM	BLACK
C	LOCK NUT	1	NYLON+GF	BLACK
B	FEMALE PIN	12	Phosphor Bronze	6u" GOLD PLATING OVER NICKEL PLATING
A	BODY	1	NYLON+GF	BLACK

UNLESS OTHERWISE SPECIFIED TOLERANCES

DECIMALS: ANGLES:

X :±0.5 X :±2°
 XX :±0.3 XX :±1°
 XXX :±0.2

Singatron Enterprise Co., Ltd.
 信營企業股份有限公司

TITLE: CIRCULAR LARGE SIZE (IP67) FEMALE CONN. 12 PIN LOCK TYPE
 DWG: Wcky PART NO. 2CG3004-W1230XH
 CHKD: Harden SCALE 1:1 UNIT: mm
 APVD: Steve SIZE: A3 SHEET: 1 OF 1 REV: A

CUSTOMER COPY