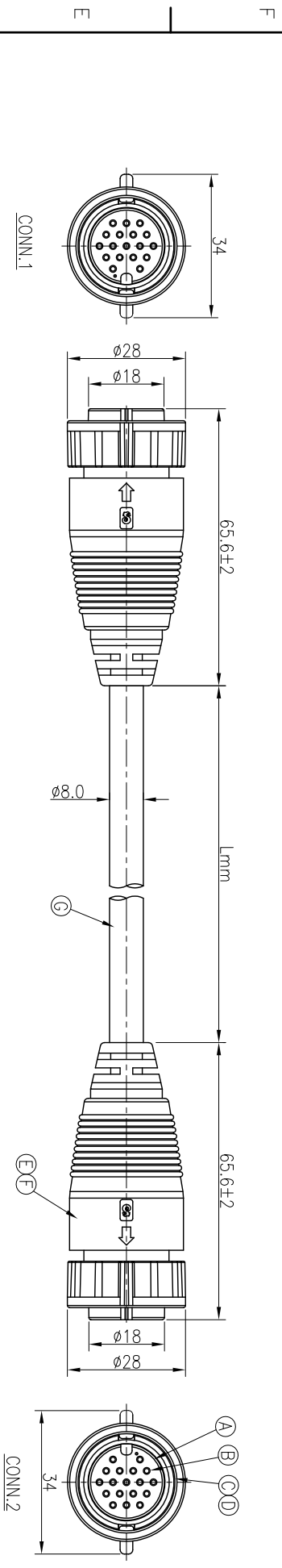


REV.	ECN NO	OR DESCRIPTION	REVISED	DATE
A	PDR NO:T100429-5A&5B	Shown	Shown	2010.07.12

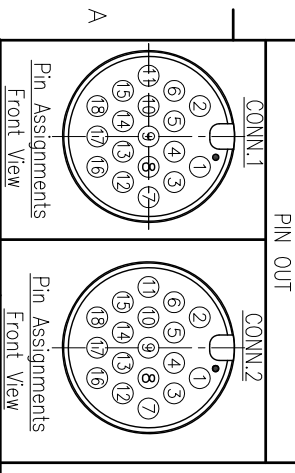


18	BLUE/WHITE	18
17	GREEN/WHITE	17
16	ORANGE/WHITE	16
15	RED/WHITE	15
14	BROWN/WHITE	14
13	BLACK/WHITE	13
12	LIGHT GREEN	12
11	PURPLE	11
10	ORANGE	10
9	BLACK	9
8	RED	8
7	PINK	7
6	GRAY	6
5	YELLOW	5
4	GREEN	4
3	WHITE	3
2	BLUE	2
1	BROWN	1

P/N	CABLE LENGTH
2CG3004-W18302	L=1000±50mm
2CG3004-W18303	L=400±20mm

CONN.1	PIN OUT	CONN.2
1	1	1
2	2	2
3	3	3
4	4	4
5	5	5
6	6	6
7	7	7
8	8	8
9	9	9
10	10	10
11	11	11
12	12	12
13	13	13
14	14	14
15	15	15
16	16	16
17	17	17
18	18	18

- NOTES:
1. WATERPROOF RATE: IP67(WHEN PROPERLY MATED)  
IP67: IMMERSED IN 1M WATER FOR 30 MINUTES
  2. CURRENT RATING: 5A
  3. SPECIFICATIONS:SEE "CIRCULAR SERIES SPECIFICATIONS".
  4. TO CONFORM TO SINGATRON HAZARDOUS SUBSTANCE FREE SPEC.
  5. GREEN PRODUCT IDENTIFICATION LABEL ON PACKAGING: **GR. PASS**



G	CABLE	1	UL2464 24#*18C+AL UV RESISTANT OD=Ø8.0	BLACK(PVC JACKET)
F	INNER MOLD	2	TPU	NATURAL
E	OVER MOLD	2	PVC	BLACK
D	O-RING	2	EPDM	BLACK
C	LOCK NUT	2	NYLON+GF	BLACK
B	FEMALE PIN	36	Phosphor Bronze	6u" GOLD PLATING OVER NICKEL PLATING
A	BODY	2	NYLON+GF	BLACK
NO	DESCRIPTION	QTY	MATERIAL	PLATING & COLOR

UNLESS OTHERWISE SPECIFIED TOLERANCES

DECIMALS:	ANGLES:
X :±0.5	X :±2°
XX :±0.3	XX :±1'
X:XX :±0.2	

Singatron Enterprise Co., Ltd.  
 信亨企業股份有限公司  
 CIRCULAR LARGE SIZE (IP67)  
 FEMALE CONN. FEMALE 18 PIN(5A) LOCK TYPE  
**PART NO.2CG3004-W1830X**  
 DWN Shown SCALE 1:1 UNIT: mm  
 CHKD Steve SIZE: A3 SHEET: 1 OF 1  
 APVD Max  
**REV: A**

**CUSTOMER COPY**