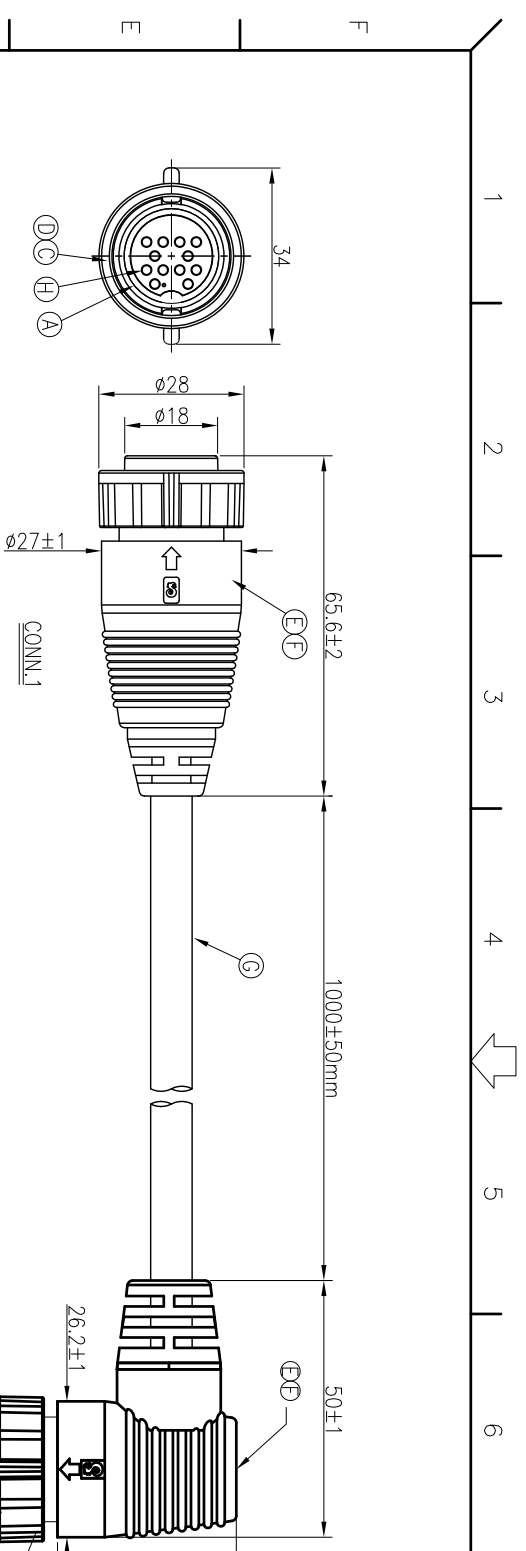
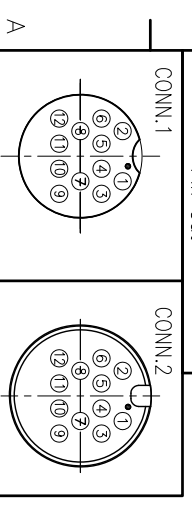


REV: A	ECN NO: S100519-3C	DESCRIPTION: PDR NO:S100519-3C	REVISED: Horlen	DATE: 2010.05.13
--------	--------------------	--------------------------------	-----------------	------------------

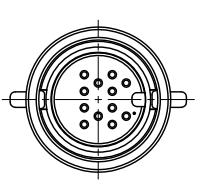


12	Light Green	12	Conn.1
11	Purple	11	Conn.1
10	Orange	10	Conn.1
9	Black	9	Conn.1
8	Red	8	Conn.1
7	Pink	7	Conn.1
6	Gray	6	Conn.1
5	Yellow	5	Conn.1
4	Green	4	Conn.1
3	White	3	Conn.1
2	Blue	2	Conn.1
1	Brown	1	Conn.1
Conn.2		Wire Color	
1		Brown	
2		Blue	
3		White	
4		Green	
5		Yellow	
6		Gray	
7		Pink	
8		Red	
9		Black	
10		Orange	
11		Purple	
12		Light Green	



NOTES:

1. WATERPROOF RATE: IP67(WHEN PROPERLY MATED)
2. CURRENT RATING: 5A
3. SPECIFICATIONS:SEE "CIRCULAR SERIES SPECIFICATIONS".
4. TO CONFORM TO SINGATRON HAZARDOUS SUBSTANCE FREE SPEC.
5. GREEN PRODUCT IDENTIFICATION LABEL ON PACKAGING: **GR PASS**



H	MALE PIN	12	HB159-1.5B	6u" GOLD PLATING OVER NICKEL PLATING
G	CABLE	1	UL2464 22#*12C+AL UV OD8.0	BLACK(PVC JACKET)
F	INNER MOLD	2	TPU	NATURAL
E	OVER MOLD	2	PVC	BLACK
D	O-RING	2	EPDM	BLACK
C	LOCK NUT	2	NYLON+GF	BLACK
B	FEMALE PIN	12	Phosphor Bronze	6u" GOLD PLATING OVER NICKEL PLATING
A	BODY	2	NYLON+GF	BLACK
NO	DESCRIPTION	QTY	MATERIAL	PLATING & COLOR
UNLESS OTHERWISE SPECIFIED TOLERANCES				
Singatron Enterprise Co., Ltd. 信亨企業股份有限公司				
TITLE: CIRCULAR LARGE SIZE (IP67) FEMALE CONN. 12 PIN LOCK TYPE				
DMN	DESIGNER	PART NO.	SCALE	UNIT
CHKD	CHECKER	SIZE	1:1	mm
APVD	APPROVED	MAX	A3	SHEET: 1 OF 1
REVISION: REV. A				
CUSTOMER COPY				

Pin Assignments  
Front View 前视图

Pin Assignments  
Front View 前视图