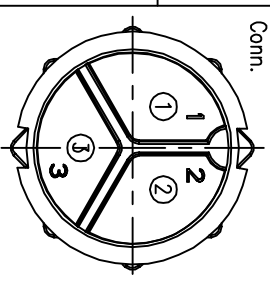
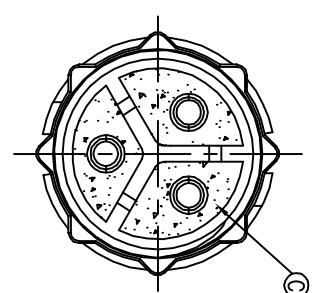
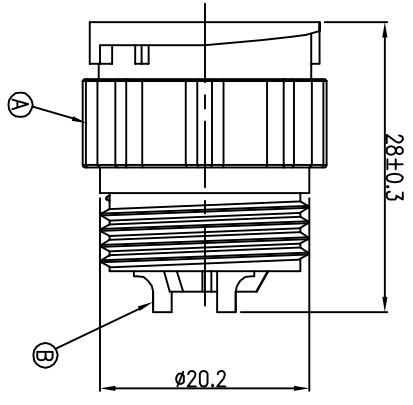
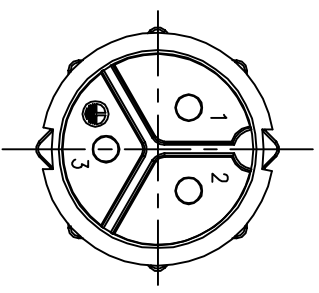



REV.	ECN NO OR DESCRIPTION	REVISED	DATE
A	PDR NO.:S170214-2A	JF	2017.09.13




PIN OUT

Conn.

Pin Assignments  
Front View 前视图

- NOTES:
1. CURRENT RATING: 20A
  2. SPECIFICATIONS:SEE "CIRCULAR SERIES SPECIFICATIONS".
  3. TO CONFORM TO SINGATRON HAZARDOUS SUBSTANCE FREE SPEC.
  4. GREEN PRODUCT IDENTIFICATION LABEL ON PACKAGING: 

C	LIQUID GLUE	1	N/A	BLACK
B	MALE PIN	3	BRASS	GOLD PLATING OVER NICKEL PLATING
A	BODY	1	PA66+GF	BLACK
NO	DESCRIPTION	QTY	MATERIAL	PLATING & COLOR
UNLESS OTHERWISE SPECIFIED TOLERANCES				
 Singatron Enterprise Co., Ltd. 信亨企業股份有限公司				
TITLE: CIRCULAR LARGE SIZE (P67)				
M CONN. M PIN (3PIN)LOCK TYPE				
DECIMALS:	ANGLES:	PART NO.:2CG3024-W03601H		
X :±0.5	X :±2°	CHKD	Yang	SCALE 2:1 UNIT: mm
XX :±0.3	XX :±1'	APVD	Steve	SIZE: A3 SHEET:1 OF 1 REV: A
XXX :±0.2		CUSTOMER COPY		

1 2 3 4 5 6 7 8