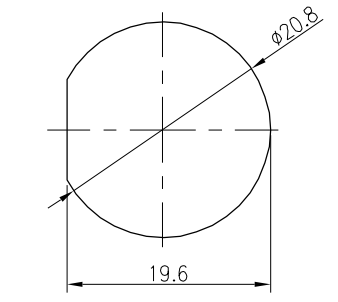
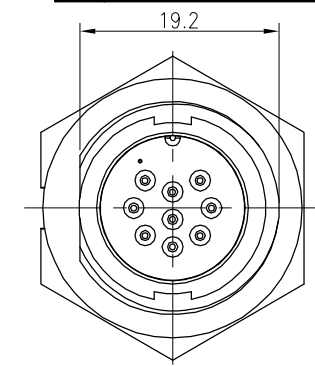
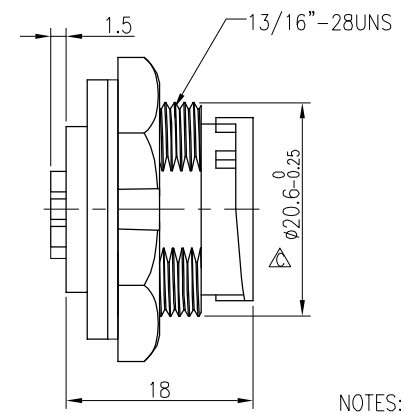
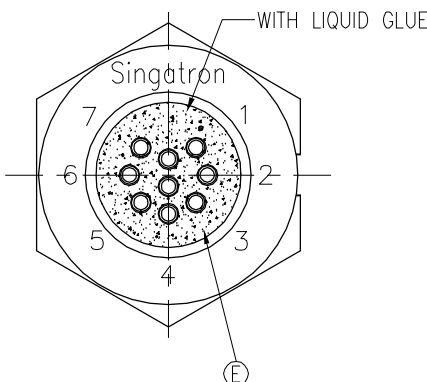


C	ECN NO.:S202104-R12	LEI	2021.07.09	REV.	ECN NO OR DESCRIPTION	REVISED	DATE
				A	PDR NO.:T080815A3G	Steve	2009.04.28
				B	ECN NO.:S121109	YF	2014.03.27

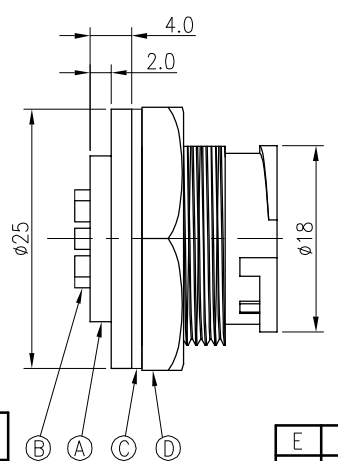


RECOMMENDED PANEL CUT-OUT



- NOTES:
1. WATERPROOF RATE: IP67
IP67: IMMERSED IN 1M WATER FOR 30 MINUTES
 2. ELECTRICAL CHARACTERISTICS
TEMPERATURE RANGE: -40°C TO +100°C
CURRENT RATING: 5A
DIELECTRIC WITHSTANDING VOLTAGE: 500V AC FOR ONE MINUTE
 3. SPECIFICATIONS:SEE "CIRCULAR SERIES SPECIFICATIONS".
 4. TO CONFORM TO SINGATRON HAZARDOUS SUBSTANCE FREE SPEC.
 5. GREEN PRODUCT IDENTIFICATION LABEL ON PACKAGING: **CLP PASS**
 6. FOR PANEL THICKNESS MAX OF 3.5mm
 7. ORDER INFORMATION: 2CM3000-W0X300

- 3-CURRENT RATING 5A
- 07- 7 PIN
- 08- 8 PIN
- 09- 9 PIN



P/N:	2CM3002-W09300	2CM3002-W08300	2CM3002-W07300
	PIN ASSIGNMENTS FRONT VIEW	PIN ASSIGNMENTS FRONT VIEW	PIN ASSIGNMENTS FRONT VIEW

E	LIQUID GLUE	1	N/A	BLACK
D	NUT	1	NYLON+GF	BLACK
C	GASKET	1	EPDM	BLACK
B	MALE PIN	*	BRASS	6u" GOLD PLATED OVER NICKEL PLATING
A	BODY	1	NYLON+GF	BLACK
NO	DESCRIPTION	QTY	MATERIAL	PLATING & COLOR
UNLESS OTHERWISE SPECIFIED TOLERANCES			Suzhou Singatron Auto Electronics CO.,LTD. 蘇州信音汽車電子有限公司	
DECIMALS:		ANGLES:		TITLE
X	:±0.5	X	:±2°	CIRCULAR MIDDLE SIZE (SOLDER/LOCK TYPE) MALE CONN. MALE (7~9) PIN(5A)
X.X	:±0.3	X.X	:±1°	DWN
X.XX	:±0.2			LEI
			CHKD	JF
			APVD	JF
			SCALE	2:1
			UNIT:	mm
			SIZE:	A3
			SHEET:	1 OF 1
			REV:	C
CUSTOMER COPY				