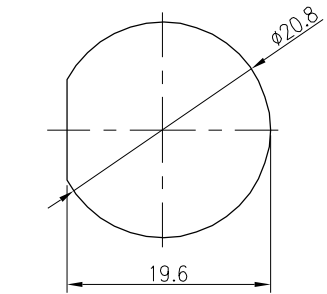
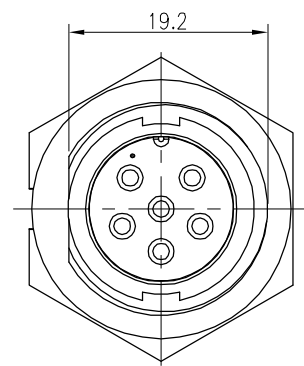
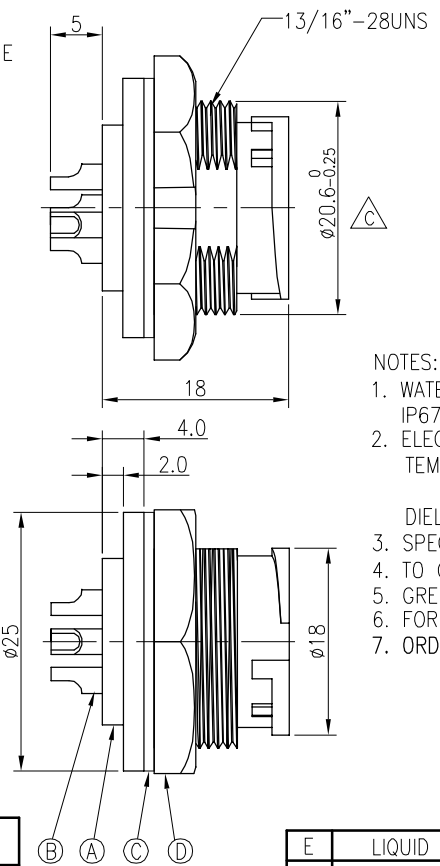
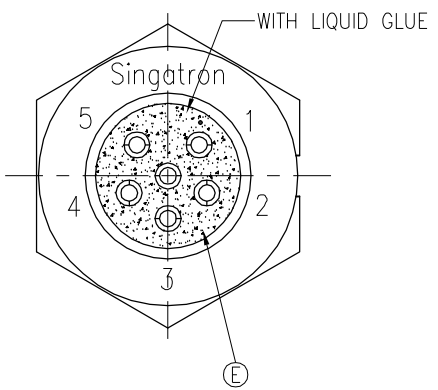


REV.	ECN NO OR DESCRIPTION	REVISED	DATE
A	PDR NO.:T090824-5A~C	LILY	2009.11.19
B	ECN NO.:S121109	YF	2014.03.27
C	ECN NO.:S202104-R12	LEI	2021.07.09



RECOMMENDED PANEL CUT-OUT



- NOTES:
1. WATERPROOF RATE: IP67
IP67: IMMERSED IN 1M WATER FOR 30 MINUTES
 2. ELECTRICAL CHARACTERISTICS
TEMPERATURE RANGE: -40°C TO +100°C
CURRENT RATING: 10A
DIELECTRIC WITHSTANDING VOLTAGE: 1000V AC FOR ONE MINUTE
 3. SPECIFICATIONS:SEE "CIRCULAR SERIES SPECIFICATIONS".
 4. TO CONFORM TO SINGATRON HAZARDOUS SUBSTANCE FREE SPEC.
 5. GREEN PRODUCT IDENTIFICATION LABEL ON PACKAGING: **CLP PASS**
 6. FOR PANEL THICKNESS MAX OF 3.5mm
 7. ORDER INFORMATION: 2CM3002-W0X400

- 4-CURRENT RATING 10A
- 04- 4 PIN
- 05- 5 PIN
- 06- 6 PIN

P/N:	2CM3002-W06400	2CM3002-W05400	2CM3002-W04400
	PIN ASSIGNMENTS FRONT VIEW	PIN ASSIGNMENTS FRONT VIEW	PIN ASSIGNMENTS FRONT VIEW

E	LIQUID GLUE	1	N/A	BLACK
D	NUT	1	NYLON+33%GF	BLACK
C	GASKET	1	EPDM	BLACK
B	MALE PIN	*	BRASS	6u" GOLD PLATED OVER NICKEL PLATING
A	BODY	1	NYLON+33%GF	BLACK
NO	DESCRIPTION	QTY	MATERIAL	PLATING & COLOR
UNLESS OTHERWISE SPECIFIED TOLERANCES			Suzhou Singatron Auto Electronics CO.,LTD. 蘇州信音汽車電子有限公司	
DECIMALS:		ANGLES:		TITLE
X	:±0.5	X	:±2°	CIRCULAR MIDDLE SIZE (SOLDER/LOCK TYPE) MALE CONN. MALE (4~6) PIN(10A)
X.X	:±0.3	X.X	:±1°	DWN
X.XX	:±0.2			LEI
				CHKD
				JF
				APVD
				JF
CUSTOMER COPY				