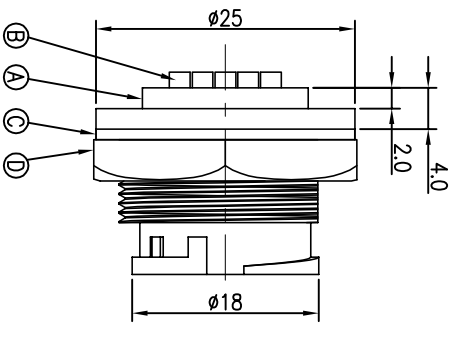
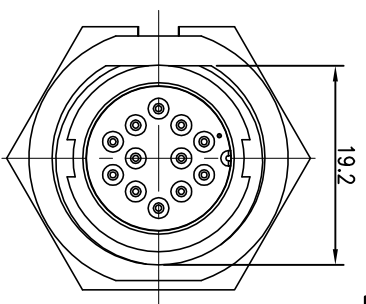
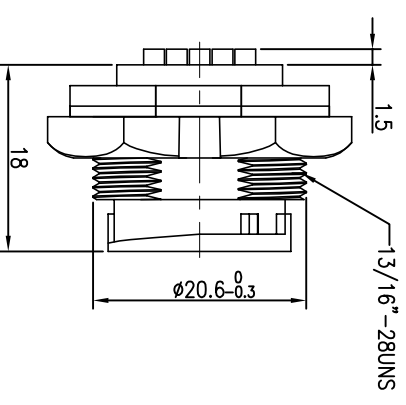
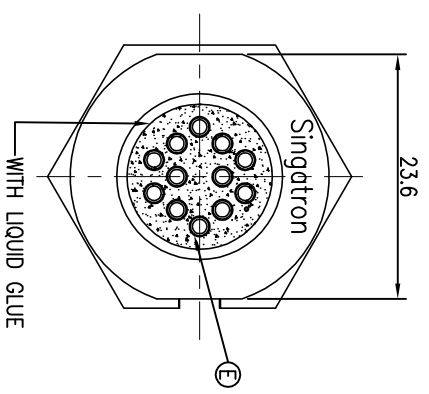


REV.	ECN NO OR DESCRIPTION	REVISED	DATE
A	PDR NO:SI100824-1B	Haften	2010.08.16
B	ECN NO:SI121109	YF	2014.03.27



- NOTES:
1. WATERPROOF RATE: IP67  
IP67: IMMersed IN 1M WATER FOR 30 MINUTES
  2. ELECTRICAL CHARACTERISTICS  
TEMPERATURE RANGE: -40°C TO +100°C  
CURRENT RATING: 5A
  3. SPECIFICATIONS: SEE "CIRCULAR SERIES SPECIFICATIONS".
  4. TO CONFORM TO SINGATRON HAZARDOUS SUBSTANCE FREE SPEC.
  5. GREEN PRODUCT IDENTIFICATION LABEL ON PACKAGING: G.P. PASS
  6. FOR PANEL THICKNESS MAX OF 3.5mm

NO	DESCRIPTION	QTY	MATERIAL	PLATING & COLOR
E	LIQUID GLUE	1	N/A	BLACK
D	NUT	1	NYLON+GF	BLACK
C	GASKET	1	EPDM	BLACK
B	MALE PIN	12	BRASS	6u" GOLD PLATING OVER NICKEL PLATING
A	BODY	1	NYLON+GF	BLACK

UNLESS OTHERWISE SPECIFIED TOLERANCES

Singatron Enterprise Co., Ltd.  
信音企業股份有限公司

TITLE CIRCULAR MIDDLE SIZE (SOLDER/LOCK TYPE)  
MATERIAL MALE CONN. MALE 12 PIN(SA)

DECIMALS: ANGLES: X :±0.5 X :±2°  
XX :±0.3 XX :±1°  
XXX :±0.2

PART NO. 2CM3002-W123A0  
SCALE 2:1 UNIT: mm

SIZE: A3 SHEET: 1 OF 1 REV: B

CUSTOMER COPY

