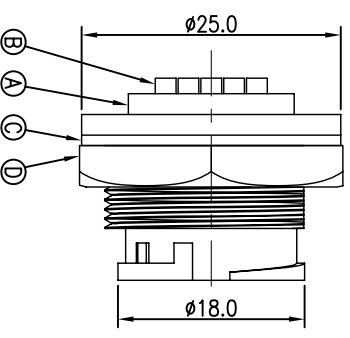
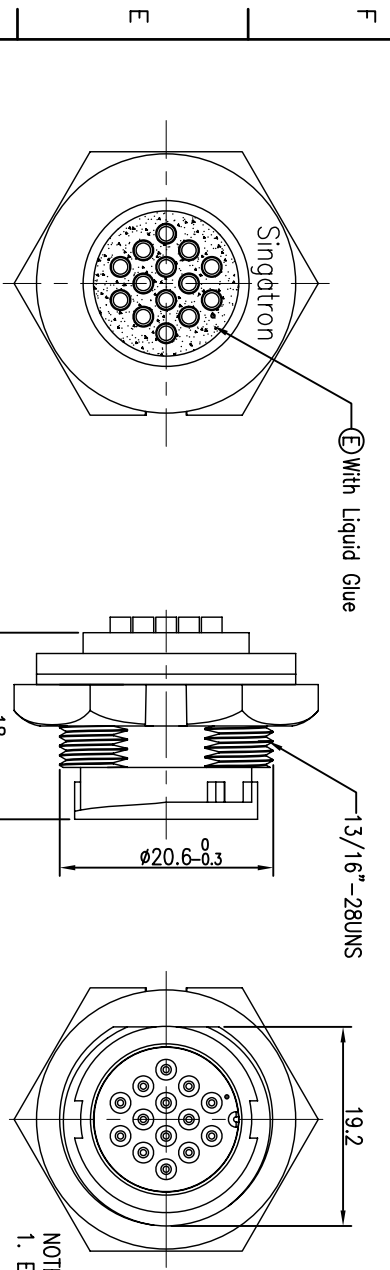
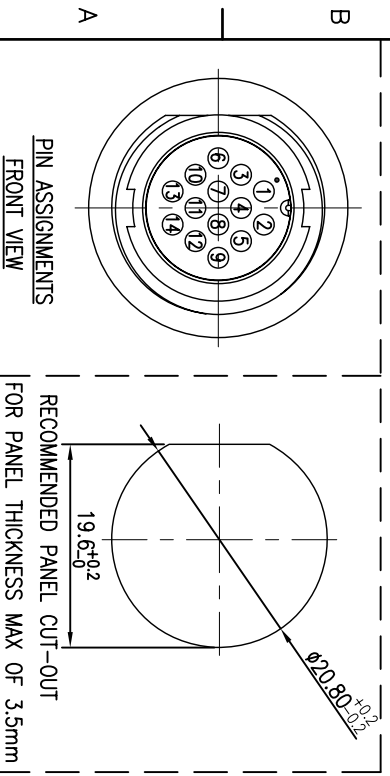


REV.	ECN NO OR DESCRIPTION	REVISED	DATE
A	PDR NO.:T131129-11B	JF	2014.01.10



- NOTES:
- ELECTRICAL CHARACTERISTICS:
 - 1-1 CURRENT RATING: 5 AMPS.
 - 1-2 CONTACT RESISTANCE: 30 mOhm Max.
 - 1-3 INSULATION RESISTANCE: 100 Mohm Min. at 500VDC.
 - 1-4 BREAKDOWN VOLTAGE: 500 VAC PER MINUTE.
 - MECHANICAL CHARACTERISTICS:
 - 2-1 TIGHTENING TORQUES: 0.8~1.0Nm(7.08~8.85lbf.in.)
 - 2-2 MECHANICAL CHARACTERISTICS:CONTACT ACCOMMODATION: 22~24 AWG.
 - ENVIRONMENTAL:
 - 3-1 OPERATING TEMPERATURE: -40°C TO +105°C.
 - 3-2 SEALING REQUIREMENTS: IP67.
 - LIFE TEST: 1,000 CYCLES MIN.
 - OTHER GENERAL SPEC. TO REFER "CIRCULAR SERIES GENERAL SPEC".
 - FOR TECHNICAL DATA REFER TO YOUR LOCAL SINGATRON ELECTRONICS SALES OFFICE.
 - ALL DIMENSIONS ARE NOMINAL FOR REFERENCE ONLY UNLESS OTHERWISE STATED.
 - TO CONFORM TO SINGATRON HAZARDOUS SUBSTANCE FREE SPEC.
 - GREEN PRODUCT IDENTIFICATION LABEL ON PACKAGING:



E	LIQUID GLUE	1	N/A	BLACK
D	NUT	1	PA66+GF	BLACK
C	GASKET	1	EPDM	BLACK
B	MALE PIN	12	BRASS	6u" GOLD PLATING OVER NICKEL PLATING
A	BODY	1	PA66+GF	BLACK
NO DESCRIPTION		QTY	MATERIAL	PLATING & COLOR
UNLESS OTHERWISE SPECIFIED TOLERANCES				
Singatron Enterprise Co., Ltd. 信亨企業股份有限公司				
TITLE CIRCULAR MIDDLE SIZE (SOLDER/LOCK TYPE) GND MALE CONN. MALE 14 PIN(SA)				
DECIMALS:	ANGLES:	DWG JF PART NO. 20CM3002-W14300H CHKD Horien SCALE 2:1 UNIT: mm APVD Quon SIZE: A3 SHEET: 1 OF 1 REV: A		
X : ±0.5	X : ±2°	CUSTOMER COPY		
XX : ±0.3	XX : ±1°			
XXX : ±0.2				