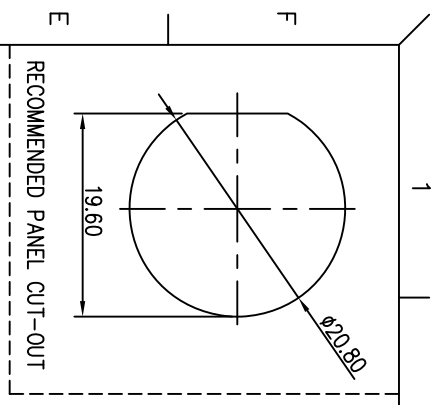
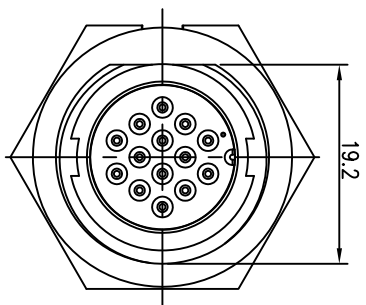
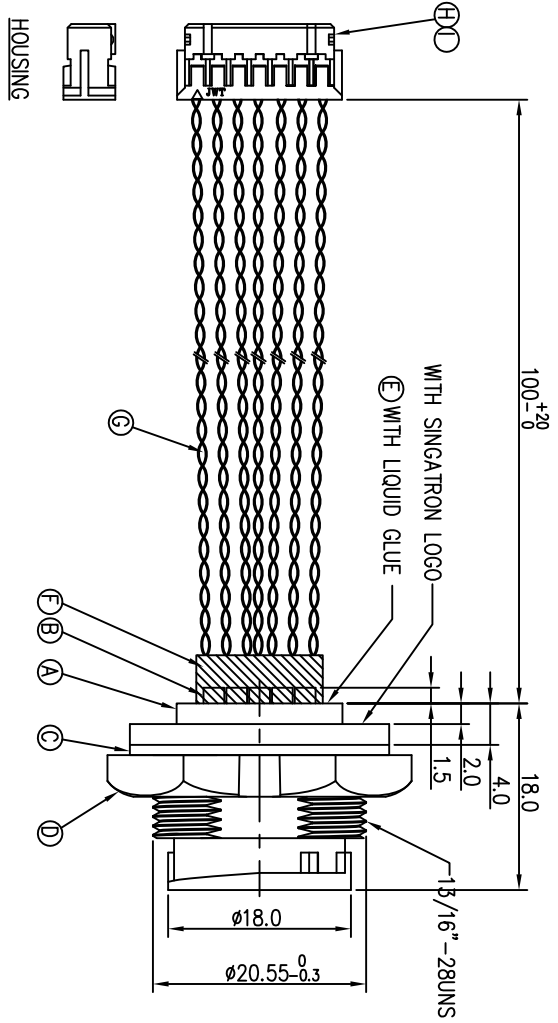


REV.	ECN NO OR DESCRIPTION	REVISED	DATE
A	PDR NO.: T120522-9A	Shown	2012.08.29

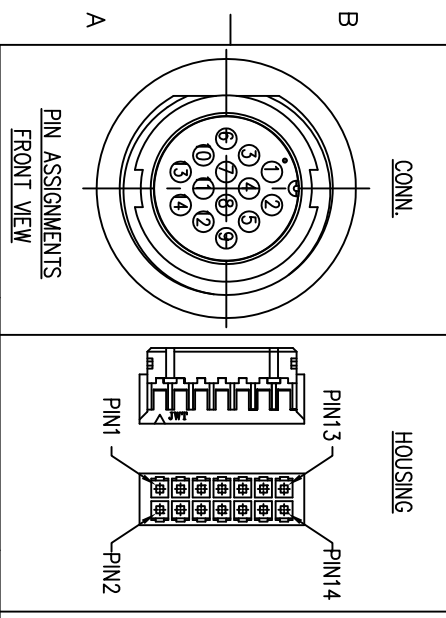


CONN	WIRE COLOR	HOUSING
1	ORANGE	2
2	PINK	3
3	RED	4
4	BLACK	5
5	DARK-BLUE	6
6	GREEN	7
7	BROWN	8
8	GREEN/RED	9
9	LIGHT-GREEN	10
10	GREEN/YELLOW	11
11	BLUE/WHITE	12
12	BLUE/YELLOW	13
13	YELLOW/BLACK	14
14	/	14



I	TERMINAL	14	P/N: 4TRJW-T-A200601	TIN PLATED
H	HOUSING	1	P/N: 4HSJW-T-0200607	WHITE
G	WIRE	14	UL 1007 24AWG	SEE "WIRE COLOR"
F	HEAT SHRINK TUBE	14	Ø2.0 125° 300V L=15	BLACK
E	LIQUID GLUE	1	N/A	BLACK
D	NUT	1	NYLON+33%GF	BLACK
C	GASKET	1	EPDM	BLACK
B	MALE PIN	14	BRASS	6u" GOLD PLATING OVER NICKEL PLATING
A	BODY	1	NYLON+33%GF	BLACK
NO	DESCRIPTION	QTY	MATERIAL	PLATING & COLOR

- NOTES:
1. WATERPROOF RATE: IP67
  2. ELECTRICAL CHARACTERISTICS
  3. SPECIFICATIONS: SEE "CIRCULAR SERIES SPECIFICATIONS"
  4. TO CONFORM TO SINGATRON HAZARDOUS SUBSTANCE FREE SPEC.
  5. GREEN PRODUCT IDENTIFICATION LABEL ON PACKAGING: Gr. Pass
  6. FOR PANEL THICKNESS MAX OF 3.5mm



DECIMALS:	ANGLES:
X : ±0.5	X : ±2°
X.X : ±0.3	X.X : ±1'
X.XX : ±0.2	

Singatron Enterprise Co., Ltd.  
 信善企業股份有限公司  
 CIRCULAR MIDDLE SIZE (SOLDER LOCK TYPE)  
 MALE CONN. MALE 14 PIN(SA)  
 TITLE: **PART NO. 2CM3002-W14303H**  
 DWN: Showm  
 CHKD: Harlen  
 APVD: Steve  
 SCALE: 2:1  
 UNIT: mm  
 SHEET: 1 OF 1  
 REV: A  
**CUSTOMER COPY**